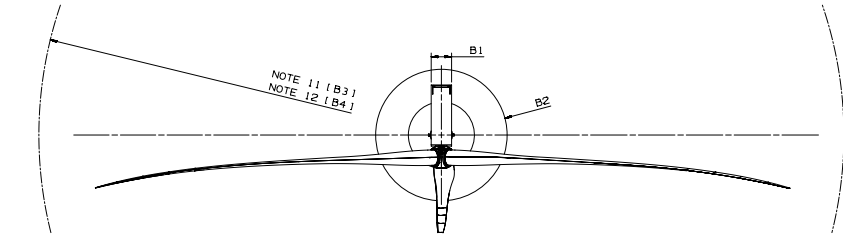
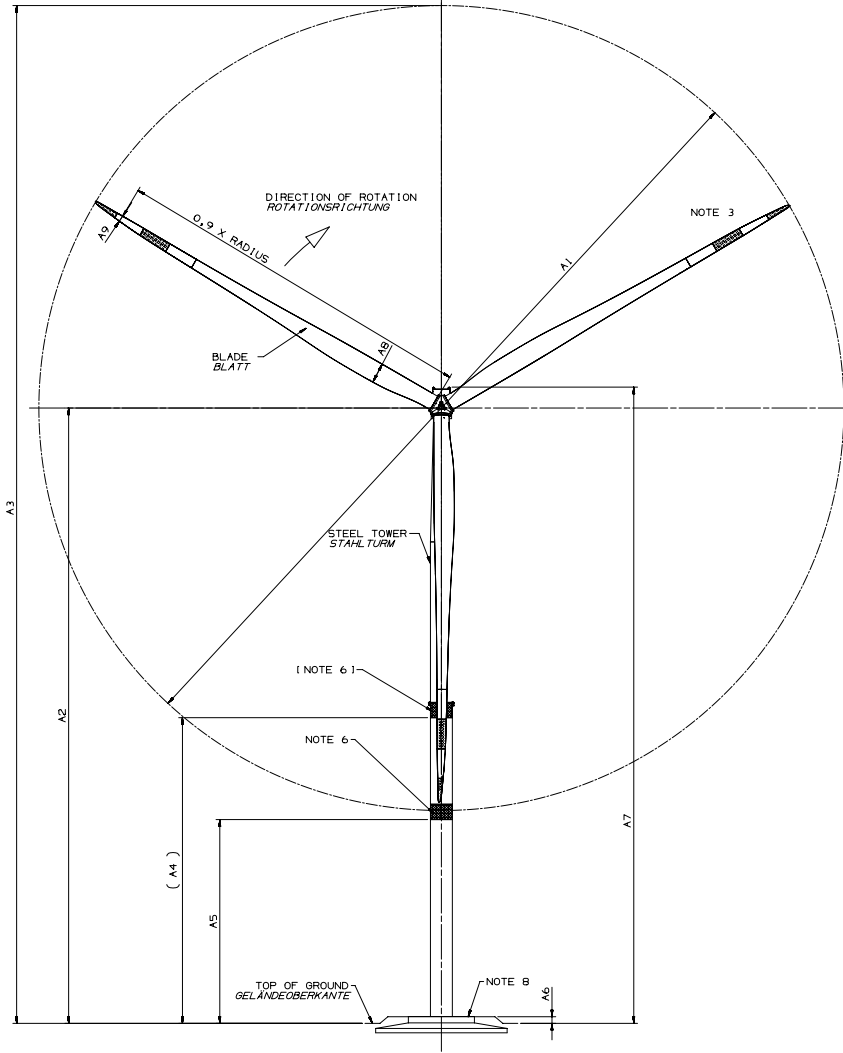


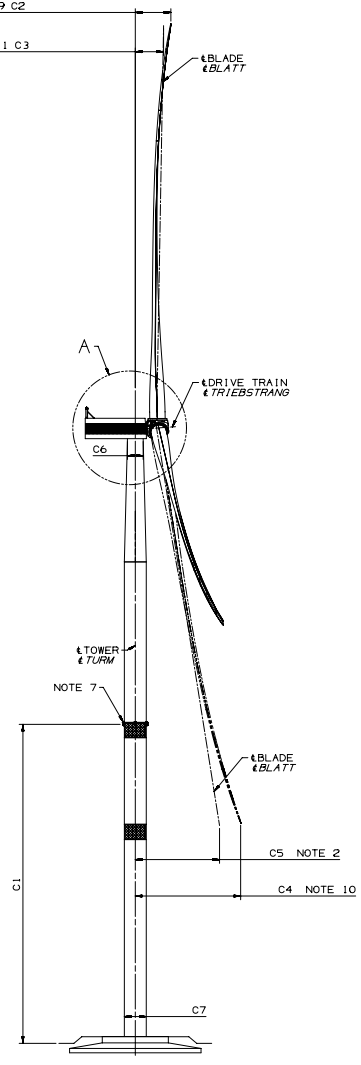
NOTES:
SEE DOCUMENT "TURBINE OUTLINE DIMENSIONS"



THIS DRAWING IS PREPARED IN ACCORDANCE WITH ISO 1101-2017

NOTE 9 C2

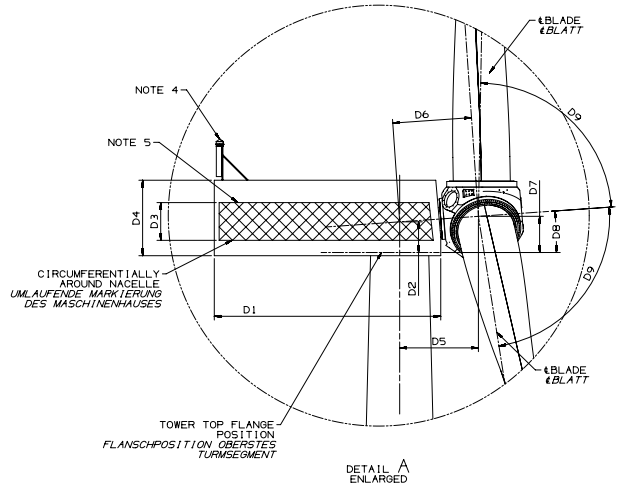
NOTE 1 C3



VIEW WITH ROTOR 60° TURNED

REVISION HISTORY			
REVZONE	DESCRIPTION	DATE (YYYY-MM-DD)	APPROVED
-	SEE PLM FOR DETAILS		

REVISE ON CAD ONLY
NX PART: 450W1333



DETAIL A ENLARGED

Change No.: 1
zum Probestand: T030321 Rev. 0
vom: 03. Juni 2022



© COPYRIGHT 2019 General Electric Company(USA).
All rights reserved. The information herein is Proprietary and Technically Exclusive content that is solely owned by General Electric Company and/or its affiliates. This information is being provided with the explicit expectation of restricted and privileged use. All persons, or legal entities receiving this information shall be deemed by the act of its receipt to have contractually agreed to make no duplication, reproduction of any nature or any means, modifications, disclosure, or use any portion of this material; except as is expressly authorized in writing by General Electric Company and/or its affiliates and/or its successors.

UNLESS OTHERWISE SPECIFIED, DIMENSIONS ARE IN MILLIMETERS		TYPE: OUTLINE	
TOLERANCE CLASS:	150 2769-m	DRAWN DATE (YYYY-MM-DD):	2019-12-03
CHECK SEE PLM		CHECK DATE (YYYY-MM-DD):	
FIRST ANGLE PROJECTION		ENGRG DATE (YYYY-MM-DD):	
		ADDITIONAL APPROVALS:	
		FOR SE USE ONLY:	
MATERIAL:	NA	DWG SOURCE:	450W1333
		SCALE:	NONE
		SCALE ACTUAL BY:	NA
		SIZE:	A0
		CADE CODE:	NONE
		DWG NO:	450W1333
		SHEET:	1 OF 1

-CONFIDENTIAL-

GE RENEWABLE ENERGY
GENERIC OUTLINE DRAWING
CYPRESS