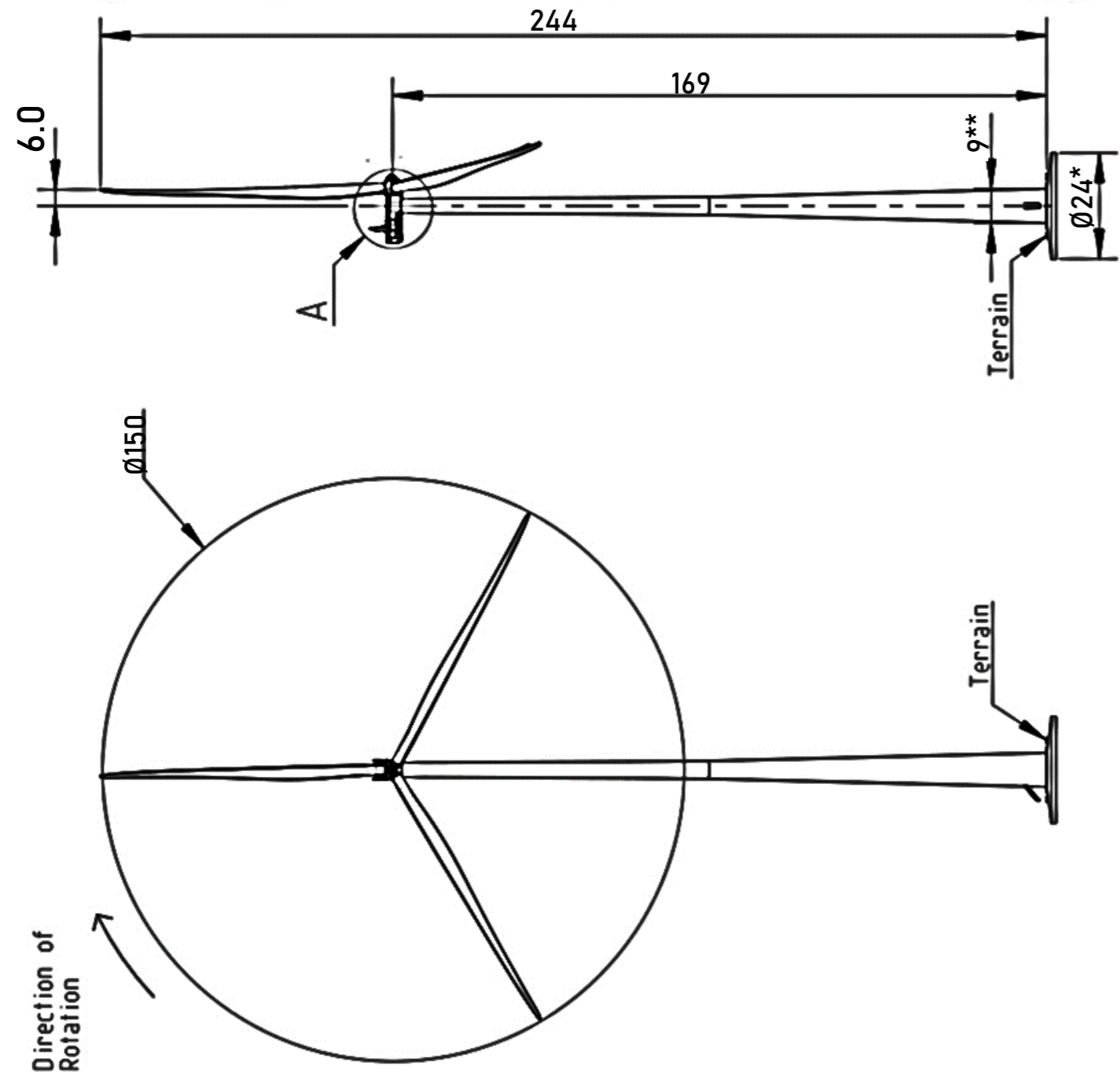
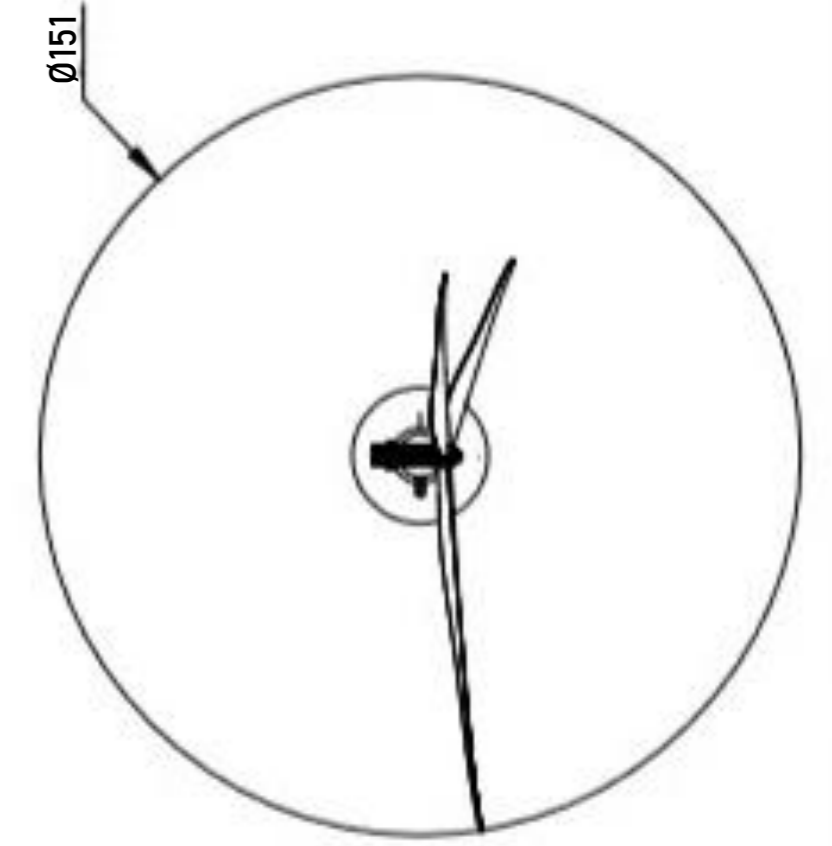
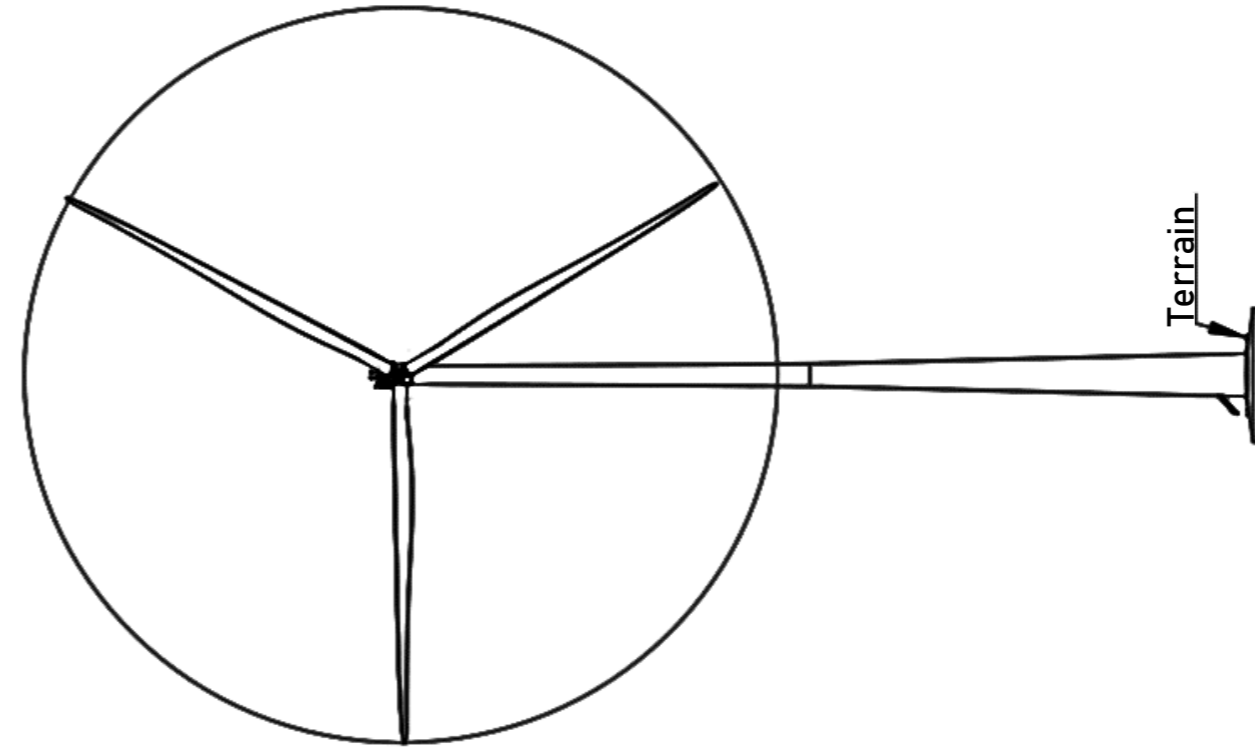


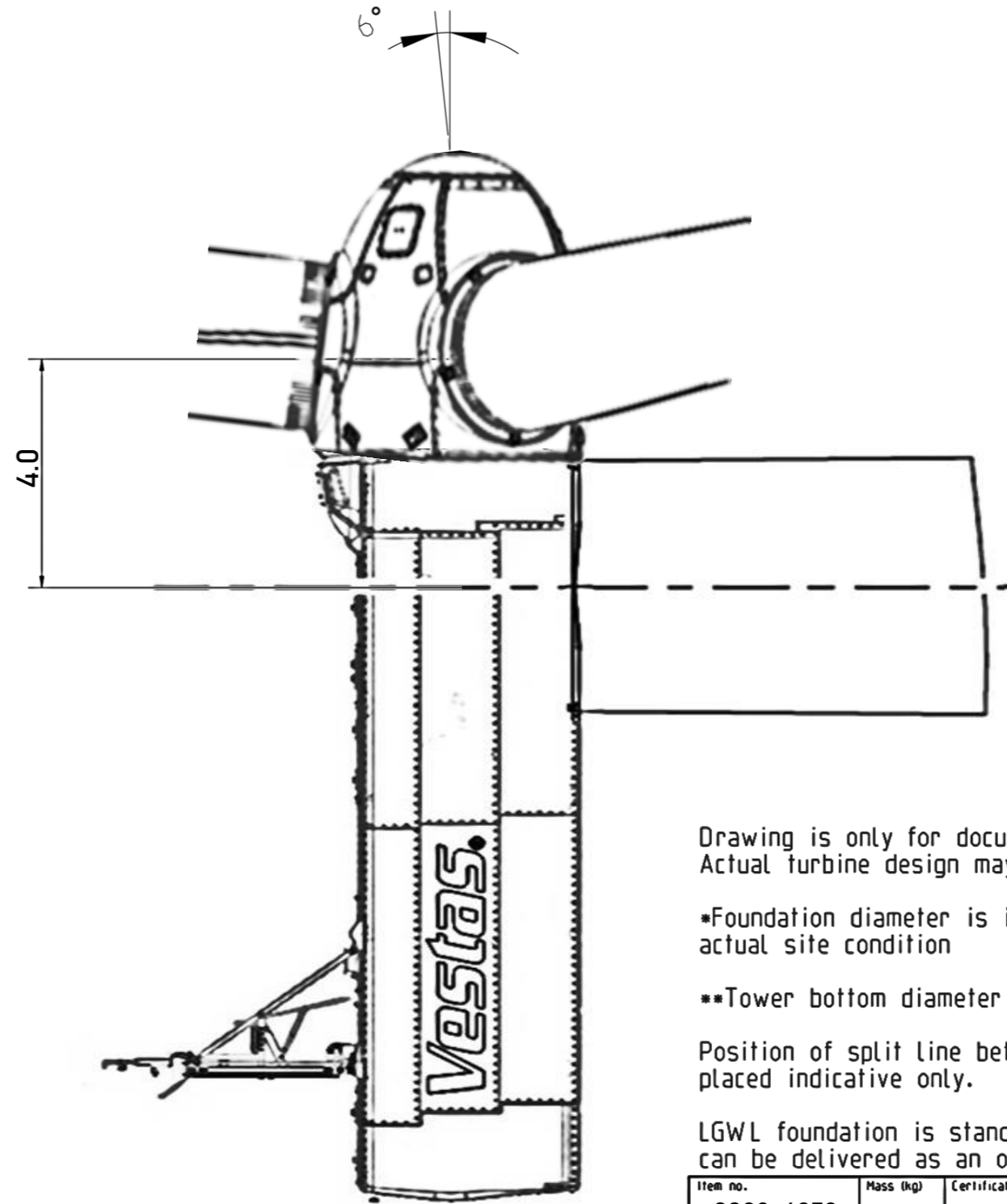
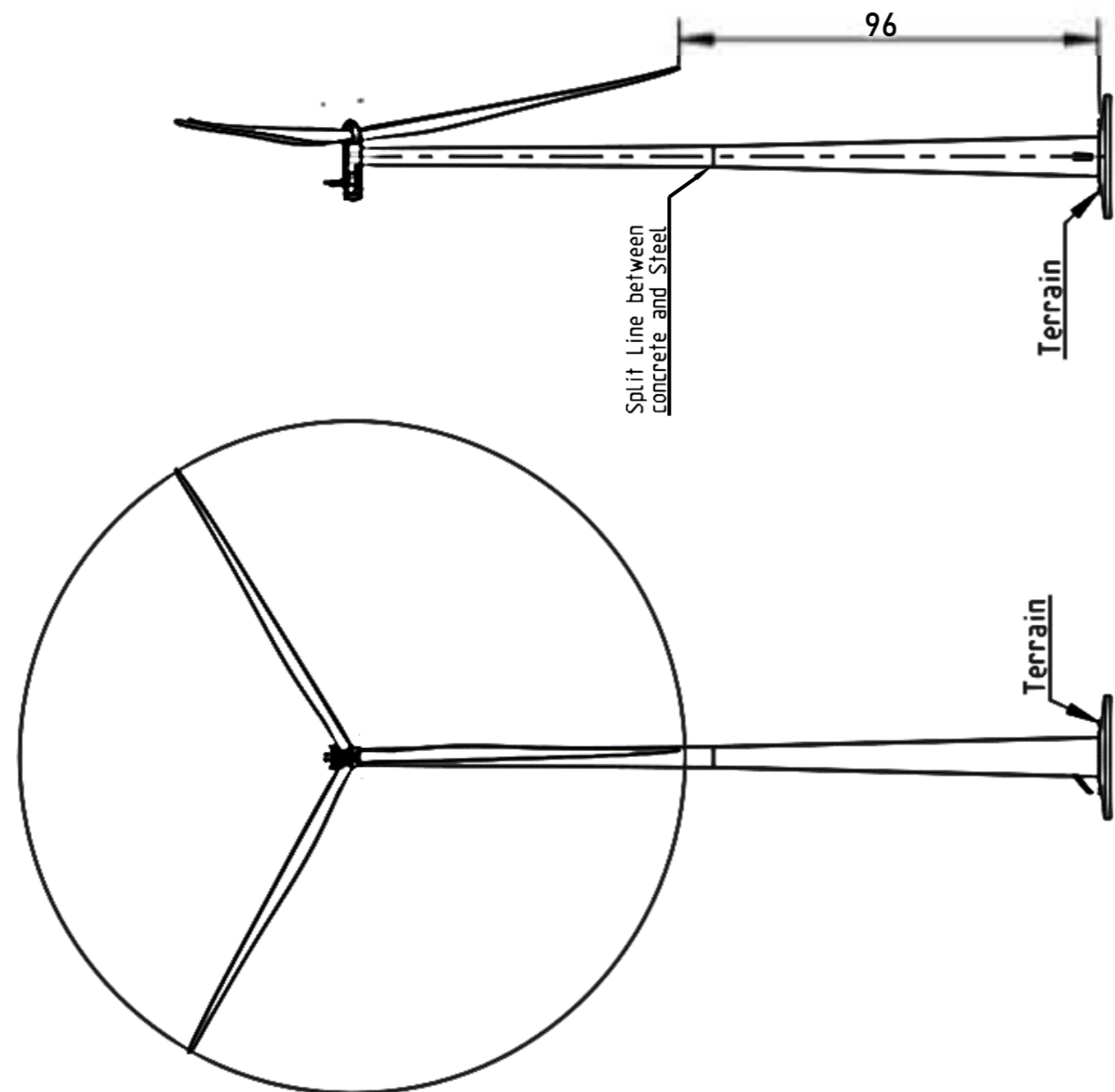
Blade in Inverted-Y Position



Blade in Horizontal Position



Blade in Y Position



Drawing is only for documentation of dimensions. Actual turbine design may differ in visual appearance.

•Foundation diameter is indicative and depends on actual site condition

••Tower bottom diameter is indicative only.

Position of split line between concrete and steel is placed indicative only.

LGWL foundation is standard - but HGWL foundation can be delivered as an option

Item no.	0089-4872	Mass (kg)	-	Certificate	-	Format	A2	Status	-	Revised by	-	Created date	-	Created by	-
Material specification	-	Scale	1:1500	Change no.	-	PDH ver.	-	Approved date	-	Approved by	-				
Proj.	-	Item description	V150 HH 169												
Pro/É	-	CHT													
Metric		Replaces / Copy of	Drawing no.		Ver.	Sheet									
Dimensions shown in mm unless otherwise specified		-	0089-4872		3	1 of 1									

WARNING: PROPRIETARY AND CONFIDENTIAL INFORMATION. This document and the information set forth herein are confidential and proprietary to Vestas Wind Systems A/S. It contains trade secrets, and independent economic value, actual or potential, may be derived from the document/information not being generally known. In consideration of your receiving this document you agree (1) to keep the information secret (11) only to use the information for the purpose specifically agreed with Vestas (111) not to disclose directly or indirectly any part of the information to any third party and (1V) not to make copies or reproductions thereof by whatsoever means or undertake any qualitative or quantitative analysis, reverse engineering or replication.