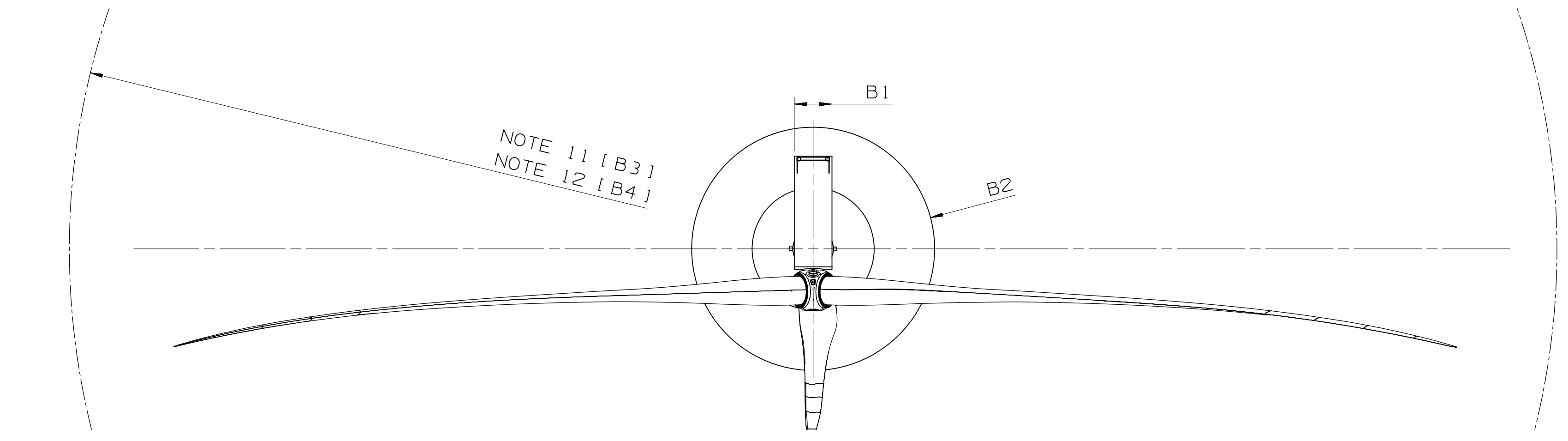
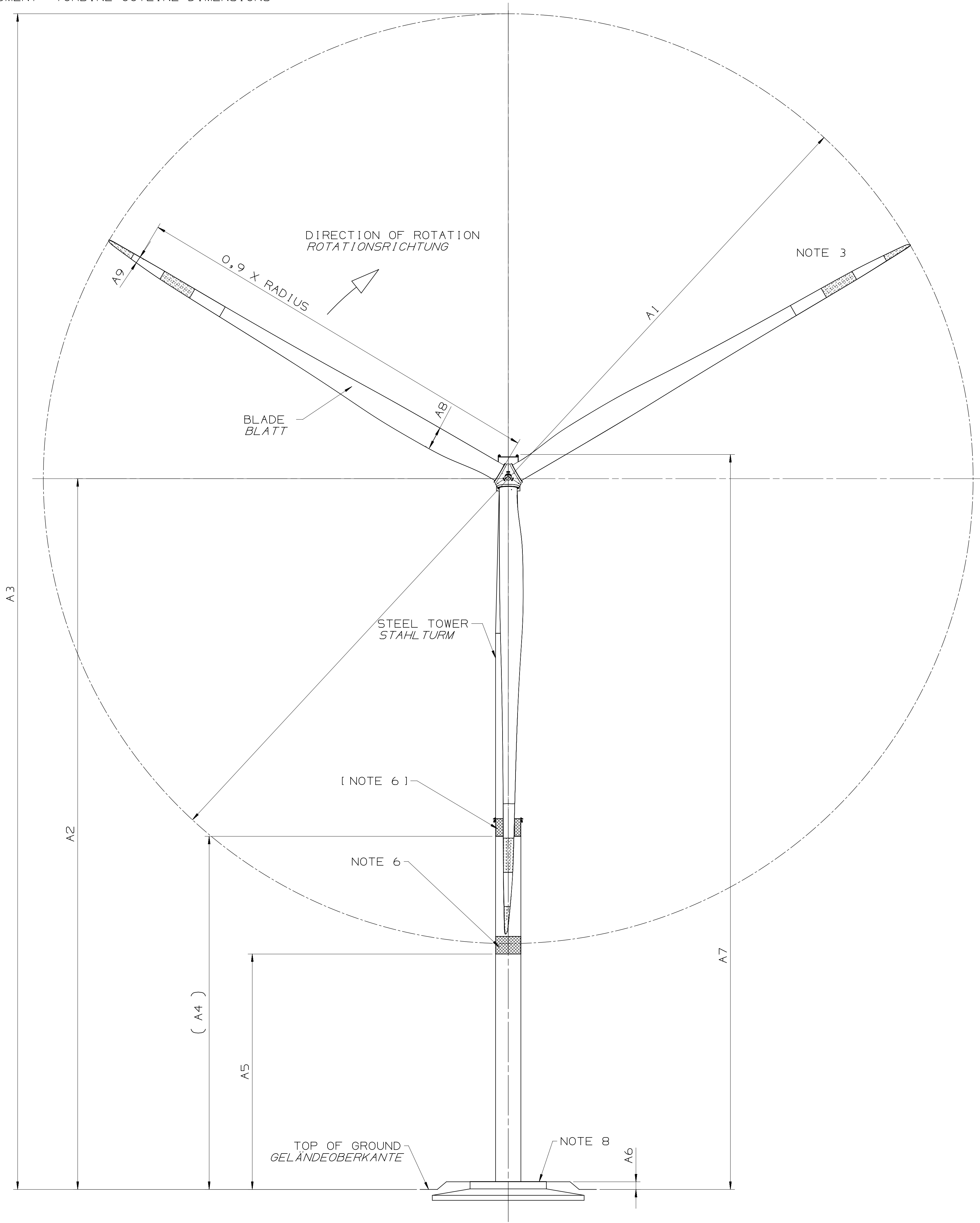


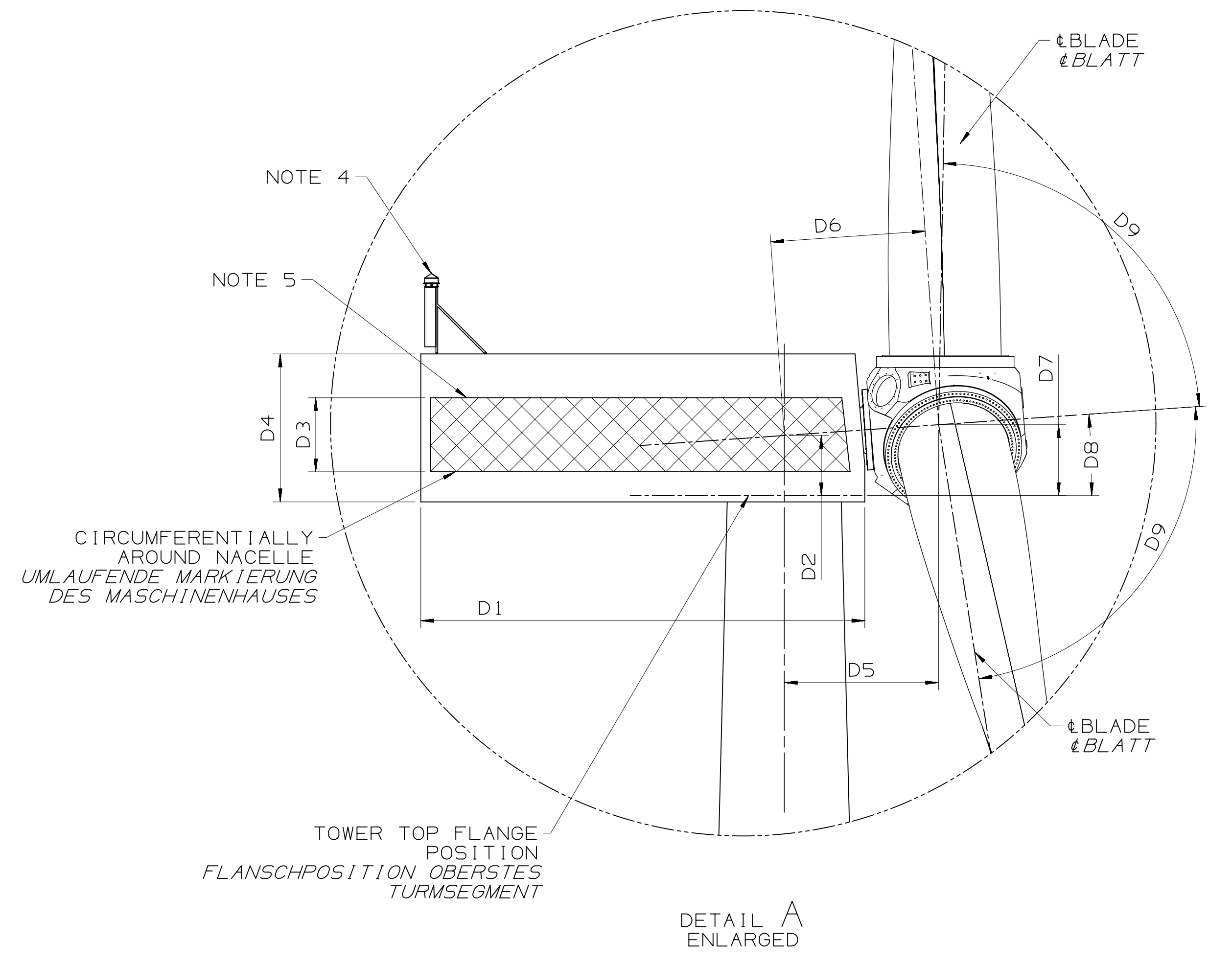
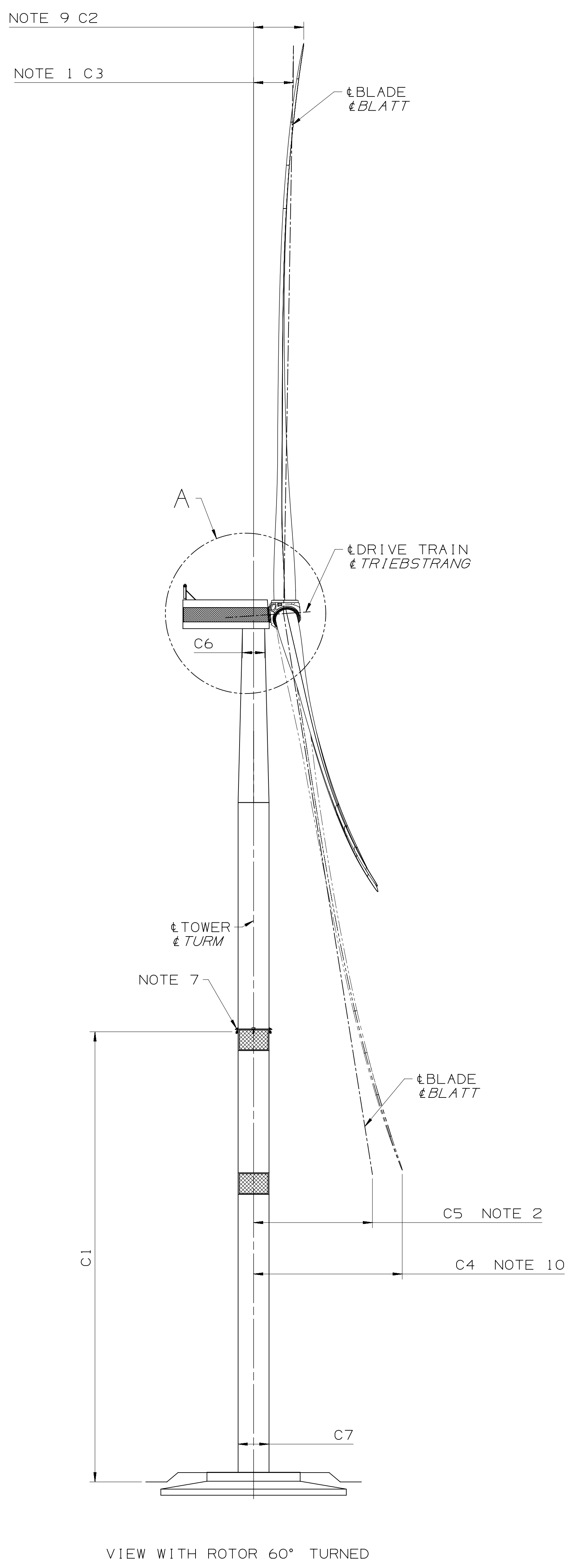
NOTES:
SEE DOCUMENT "TURBINE OUTLINE DIMENSIONS"



THIS DRAWING IS PREPARED IN ACCORDANCE WITH ISO 1101-2017

REVISION HISTORY				
REV	ZONE	DESCRIPTION	DATE (YYYY-MM-DD)	APPROVED
-	-	SEE PLM FOR DETAILS		

REVISE ON CAD ONLY
NX PART: 450W1333



© COPYRIGHT 2019 General Electric Company (USA).
All rights reserved. The information herein is Proprietary and Technically Exclusive content that is solely owned by General Electric Company and/or its affiliates. Thus, it is being provided with the explicit expectation of restricted and privileged use. All persons, or legal entities receiving this information shall be deemed by the act of its receipt to have contractually agreed to make no duplications, reproductions of any nature by any means, modifications, disclosures, or use any portion of this material except as is expressly authorized in writing by General Electric Company and/or its legitimate affiliates.

UNLESS OTHERWISE SPECIFIED DIMENSIONS ARE IN MILLIMETERS		DWG TYPE OUTLINE		GE RENEWABLE ENERGY	
TOLERANCE CLASS: ISO 2768-m ISO 8015 H		DRAWN 105015424 DRAWN DATE (YYYY-MM-DD) 2019-12-03			
FIRST ANGLE PROJECTION		CHECK SEE PLM CHECK DATE (YYYY-MM-DD) ENGR DATE (YYYY-MM-DD)			
MATERIAL: NA		MLI/PBM CODE/UNIT TYPE DWG SOURCE NX12 SIMILAR TO		SIZE A0	CAGE CODE NONE
DOL CODE US-SC, GREENVILLE		FOR GE USE ONLY APPROVAL INFORMATION		DWG NO 450W1333	SHEET 1 OF 1

-CONFIDENTIAL-

GENERIC OUTLINE DRAWING
CYPRESS

450W1333