

Evacuation, escape, and rescue plan

Wind turbine type: EnVentus Mk1

Safety notice

FIRE

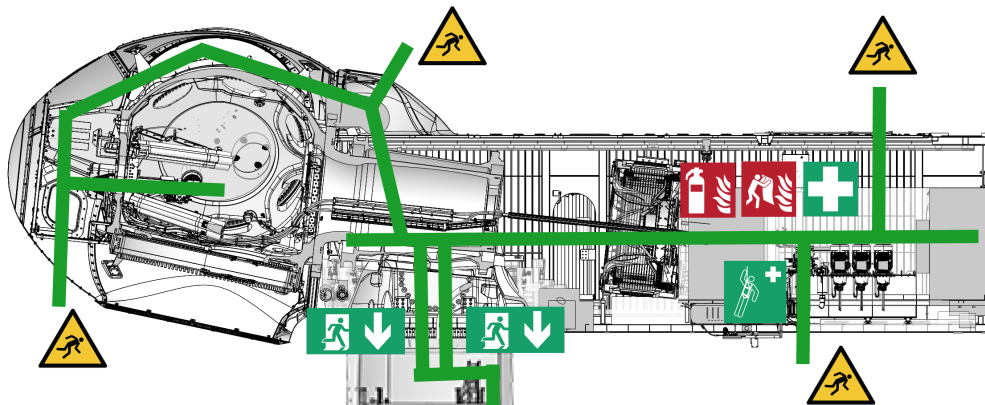
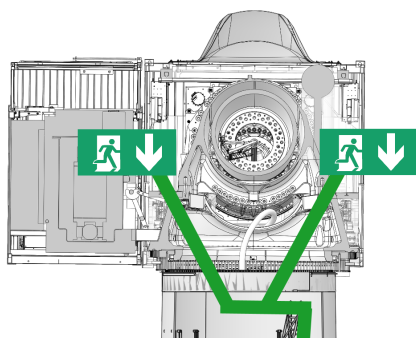
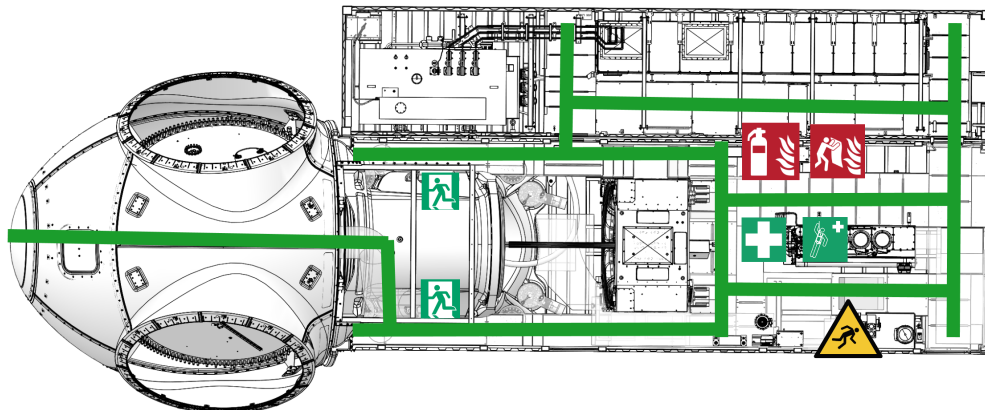
- Push an emergency stop button.
- Leave the wind turbine immediately.
- If necessary, use fire-fighting equipment to clear evacuation route.
- Notify the site officer and local emergency responders.

EVACUATION

- Leave the wind turbine immediately in a safe manner. Do not run.

LIGHTNING

- Move to an intermediate tower platform.
- Stay on the platform and keep clear of cables/ladders/lifts/ tower wall.



Assembly point



Emergency exit



First aid



Descent device



Protective shelter during thunder storm



Fire extinguisher



Fire blanket



Risk of fall from height. Descent device must be used for evacuation or rescue.

