

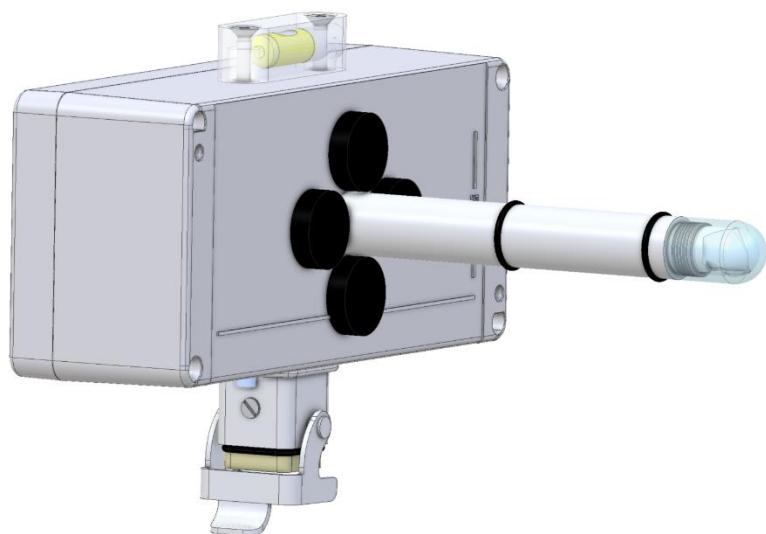
R32H-G4.1

Obstacle light R32H-G4.1

Low intensity tower obstacle light for night marking



LANTHAN



Obstacle light R32H-G4.1

The Lanthan obstacle light R32H-G4.1 meets several requirements:

- LIOL A according to ICAO
- Hindernisfeuer ES according to AVV
- LIOL B according to ICAO
- LIOL Type E according to ICAO

The Lanthan obstacle light R32H-G4.1 is characterized by its compact design and robust construction.

Being the first LED fire supplier in the wind industry, Lanthan provides reliable obstacle lights.



Housing Options:

application	name of the product	specification
steel tower magnet mount	R32H.D17-G4.1	diameter 17 mm, for 100 mm walls with box housing
steel tower clamp mount	R32H.SL-D17L130-G4.1	diameter 17 mm, for 130 mm walls with tube housing
Concrete tower adjustable length	R32H.D50-G4.1	diameter 50 mm

Version 1.1 03.05.2022

R32H-G4.1

Obstacle light R32H-G4.1

Low intensity tower obstacle light for night marking



Technical Data

Voltage range	18,2 V DC up to 28 V DC
Ambient temperature	-40 to +55 °C
Power consumption	Average (10 cd steady): < 1 W Average (32 cd steady): 2,5 W
Max on current	0,2 A
Service lifetime	Min. 10 years
Optical Characteristics red	<ul style="list-style-type: none">• 10 cd LIOL A (ICAO)• 10 cd Hindernisfeuer ES (AVV)• 10 cd LIOL E (ICAO)• 32 cd LIOL B (ICAO)
Colour coordinates / wavelength	according to ICAO, peak wavelength infrared: 850nm
Enclosure	Marine grade aluminum (AlMg3) EN AW-5754, anodized to 25µm
Lens	Clear acrylic, UV-resistant
Bare weight	8 kg
Pressure compensation	Gore membrane vents
Size	height = 123 mm; diameter = 369 mm
Sealing	EPDM o-Rings