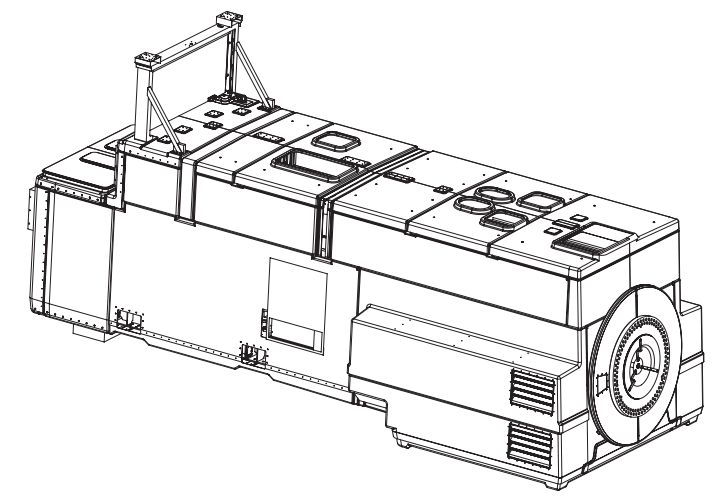
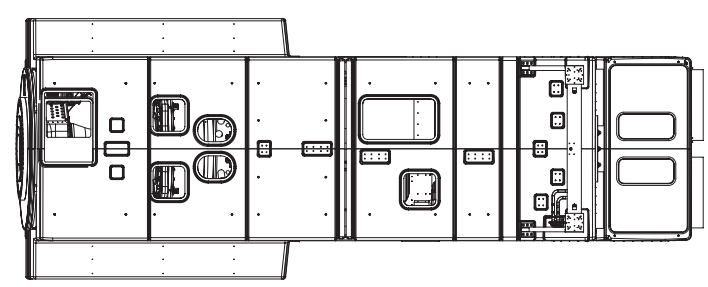
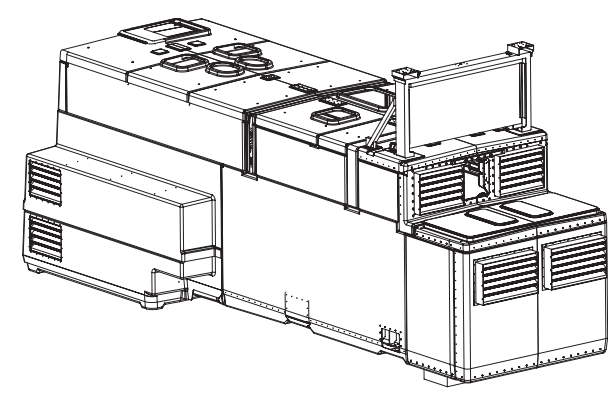
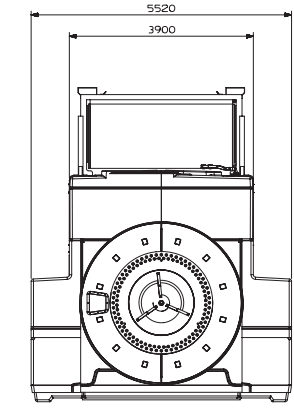
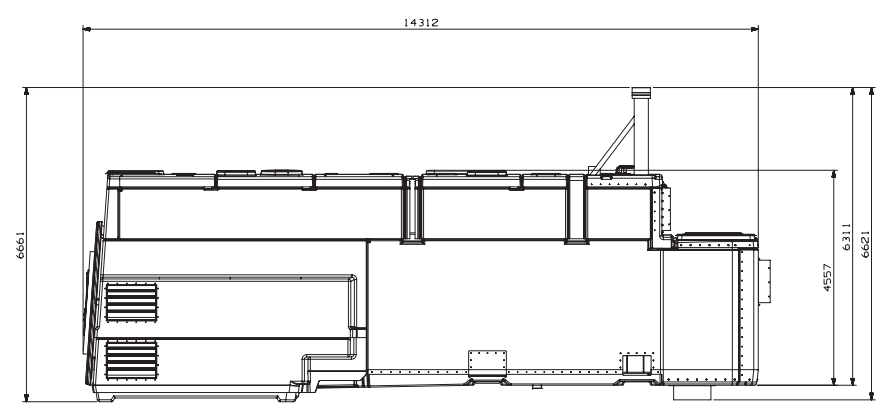


THIS DOCUMENT SHALL BE REVISED IN ITS ENTIRETY. ALL SHEETS OF THIS DOCUMENT ARE THE SAME REVISION LEVEL AS INDICATED.

REVISION HISTORY			
REVZONE	DESCRIPTION	DATE (YYYY-MM-DD)	APPROVED
A	(1) UPDATED FORMAT (2) UPDATED MODEL, VIEWS AND DIMENSIONS. (3) ADDED SHEET 2. PER ECR3044173	2019-03-11	DRAWN 212740111 ENGINEER SEE PLM

REVISE ON CAD ONLY
NX PART: 448W5186



© COPYRIGHT 2018-2019 General Electric Company(USA).
 All rights reserved. The information herein is Proprietary and Technically Exclusive content that is solely owned by General Electric Company and/or its affiliates. This information is being provided with the explicit expectation of restricted and privileged use. All persons, or legal entities receiving this information shall be deemed by the act of its receipt to have contractually agreed to not to duplicate, reproduce or in any manner, modification, disclosure, or use any portion of this material, except as is expressly authorized in writing by General Electric Company and/or its affiliates and/or its affiliates.

UNLESS OTHERWISE SPECIFIED, DIMENSIONS ARE IN MILLIMETERS		DWG TYPE ASSEMBLY		GE CLASS II (INTERNAL NON-CRITICAL)	
TOLERANCE CLASS: NA		DRAWN: 100501586		GE RENEWABLE ENERGY	
CHECK: SEE PLM		DRAWN DATE (YYYY-MM-DD): 2018-12-21		MACHINE HEAD PHYSICAL SPECIFICATIONS	
FIRST ANGLE PROJECTION		CHECK DATE (YYYY-MM-DD):			
DRAWING DATE (YYYY-MM-DD):		ENGR DATE (YYYY-MM-DD):		SIZE: A0	
DRAWING DATE (YYYY-MM-DD):		ENGR DATE (YYYY-MM-DD):		CAUSE CODE: NONE	
DRAWING DATE (YYYY-MM-DD):		ENGR DATE (YYYY-MM-DD):		DWG NO: 448W5186	
DRAWING DATE (YYYY-MM-DD):		ENGR DATE (YYYY-MM-DD):		SCALE: NONE	
DRAWING DATE (YYYY-MM-DD):		ENGR DATE (YYYY-MM-DD):		APPROXIMATE %: 100	
DRAWING DATE (YYYY-MM-DD):		ENGR DATE (YYYY-MM-DD):		SHEET: 1 OF 2	

THIS DRAWING IS PREPARED IN ACCORDANCE WITH ISO 1101-2004

448W5186