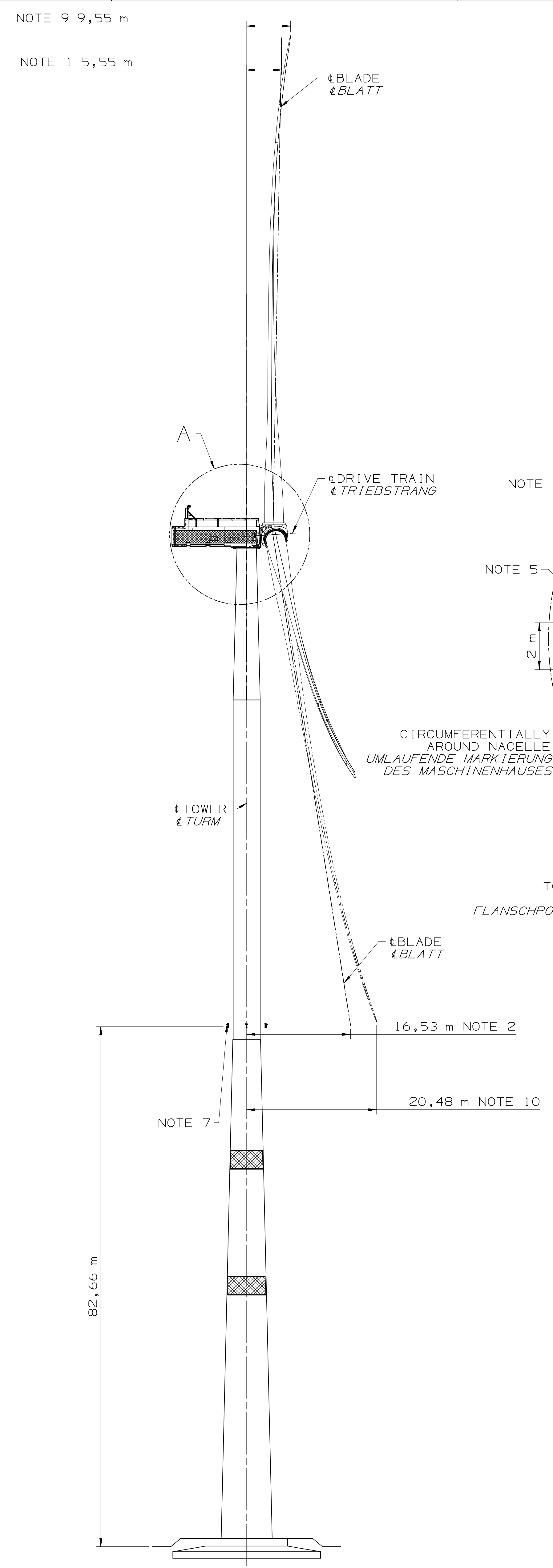
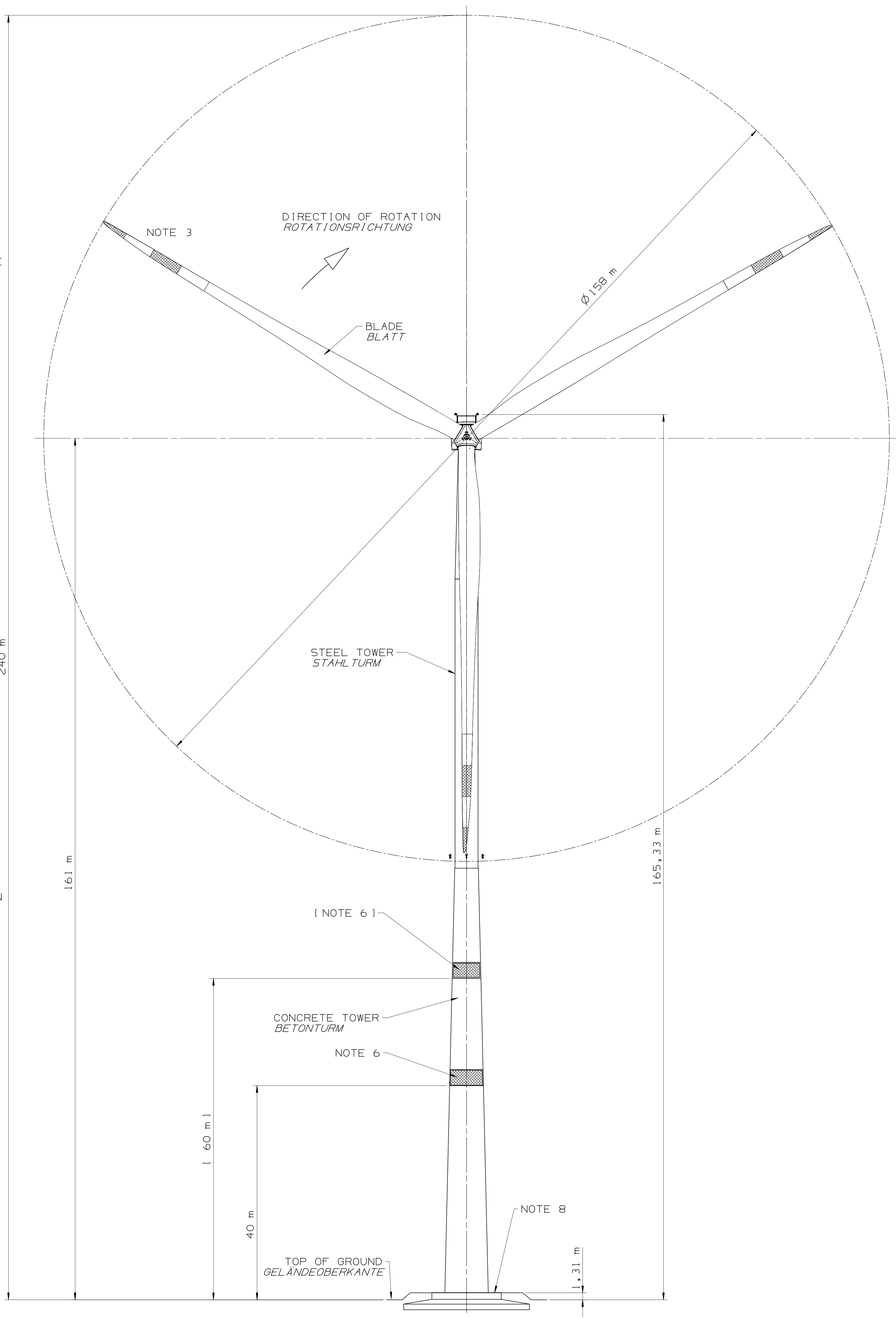
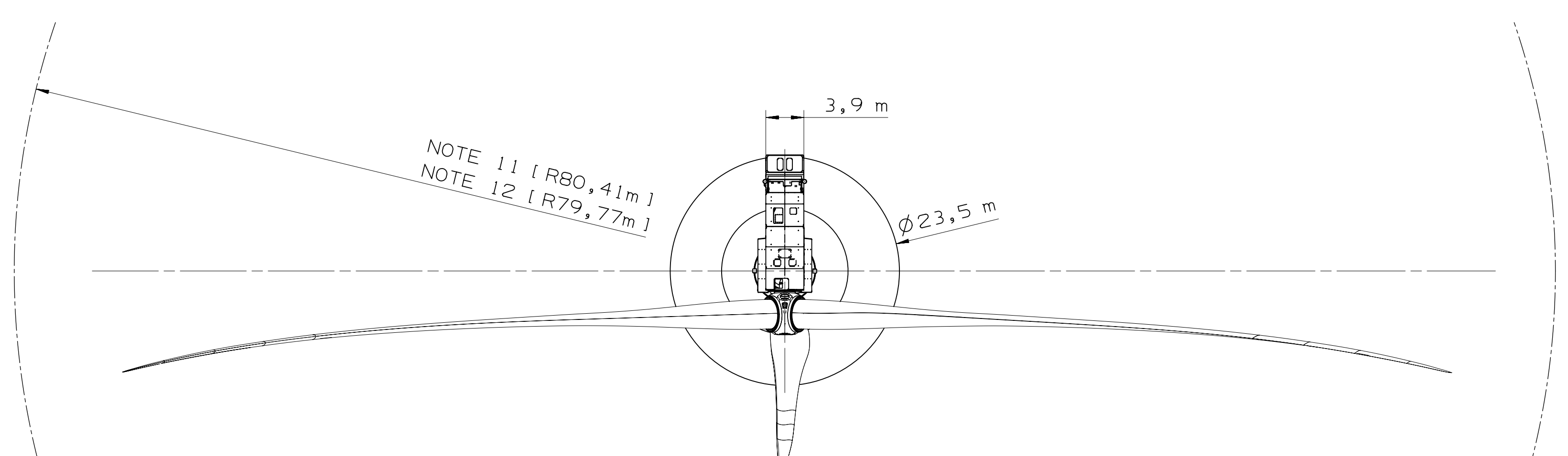
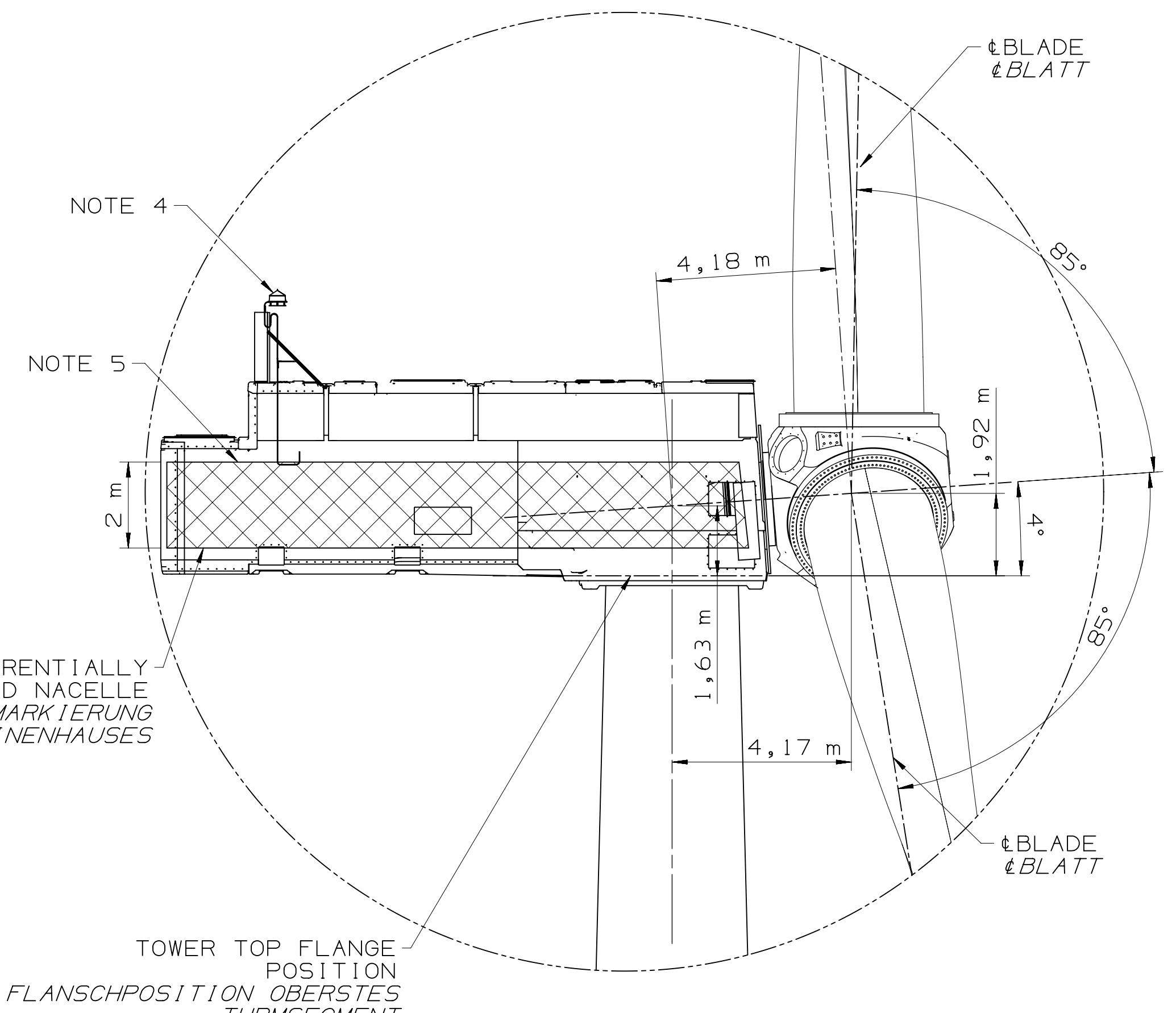


- NOTES:
- DIMENSIONS AND DESCRIPTION IN ( ) ARE OPTIONAL. DIMENSIONS AND DESCRIPTION IN [ ] ARE ALTERNATIVE MARKING, WHICH CAN BE USED INSTEAD.
- THIS DRAWING SHOWS A STANDARD CONFIGURATION ONLY. COUNTRY AND SITE SPECIFIC REGULATION MAY VARY.
- MASSE UND BESCHREIBUNGEN IN ( ) SIND OPTIONAL. MASSE UND BESCHREIBUNGEN IN [ ] SIND ALTERNATIVE KENNZEICHNUNGEN, DIE GLEICHWERTIG EINGESETZT WERDEN KÖNNEN.
- DIESE ZEICHNUNG ZEIGT LEDIGLICH EINE STANDARDKONFIGURATION. DIE RICHTLINIEN ANDERER LÄNDER UND STANDORTE KÖNNEN ABWEICHEN.
- ECCENTRICITY EB: DISTANCE BETWEEN TOWER CENTER AND BLADE TIP IN OPERATION.  
EXZENTRIZITÄT EB: ABSTAND TURMMITTE ZU BLATTSPITZE IM BETRIEB.
  - DISTANCE AB: DISTANCE BETWEEN TOWER CENTER AND BLADE TIP IN OPERATION.  
ABSTAND AB: ABSTAND TURMMITTE ZU BLATTSPITZE IM BETRIEB.
  - DAYLIGHT IDENTIFICATION 3x6m ON EACH BLADE  
RED-LIGHTGREY-RED : RAL 3020, 7035, 3020  
[ORANGE-WHITE-ORANGE: RAL 2009, 9016, 2009]  
TAGESKENNZEICHNUNG 3x6m AUF JEDEM BLATT  
ROT-HELLGRAU-ROT : RAL 3020, 7035, 3020  
[ORANGE-WEISS-ORANGE: RAL 2009, 9016, 2009]
  - NIGHT IDENTIFICATION:  
TWO AVIATION LIGHTS W-RED  
NACHTKENNZEICHNUNG:  
ZWEI FLUGHINDERNISBEFEUERUNGEN W-ROT
  - DAYLIGHT IDENTIFICATION BOTH SIDES OF NACELLE:  
2m RED : RAL 3020 [2m ORANGE: RAL 2009]  
TAGESKENNZEICHNUNG AUF BEIDEN SEITEN DES MASCHINENHAUSES:  
2m ROT : RAL 3020 [2m ORANGE: RAL 2009]
  - DAYLIGHT IDENTIFICATION AT TOWER:  
3m RED : RAL 3020 [3m ORANGE: RAL 2009]  
TAGESKENNZEICHNUNG AM TURM:  
3m ROT : RAL 3020 [3m ORANGE: RAL 2009]
  - NIGHT IDENTIFICATION:  
4 AVIATION LIGHTS  
NACHTKENNZEICHNUNG:  
4 FLUGHINDERNISBEFEUERUNGEN.
  - FOUNDATION SHOWN IS FOR INFORMATION ONLY.  
DAS DARGESTELLTE FUNDAMENT DIENST LEDIGLICH DER INFORMATION.
  - ECCENTRICITY ES: DISTANCE BETWEEN TOWER CENTER AND BLADE TIP IN IDLE.  
EXZENTRIZITÄT ES: ABSTAND TURMMITTE ZU BLATTSPITZE IM LEERLAUF.
  - DISTANCE AS: DISTANCE BETWEEN TOWER CENTER AND BLADE TIP IN IDLE.  
ABSTAND AS: ABSTAND TURMMITTE ZU BLATTSPITZE IM LEERLAUF.
  - DISTANCE FROM TOWER CENTER TO BLADE TIP IN IDLE AREA: 20315m<sup>2</sup>  
EXZENTRIZITÄTSFLÄCHE IM LEERLAUF: 20315m<sup>2</sup>
  - DISTANCE FROM TOWER CENTER TO BLADE TIP IN OPERATION AREA: 19990m<sup>2</sup>  
EXZENTRIZITÄTSFLÄCHE IM BETRIEB: 19990m<sup>2</sup>



REVISION HISTORY				
REV	ZONE	DESCRIPTION	DATE (YYYY-MM-DD)	APPROVED
B	DB	UPDATED FORMAT AND MODEL (1) SHEET 2 DELETED. (2) UPDATED NOTE 11 & 12 (3) UPDATED ALL NOTES WITH GERMAN LANGUAGE. (4) UPDATED ALL DIMENSIONS (5) TABLE DELETED. (6) UPDATED TOLERANCE CLASS ECR3044173	2019-03-07	DRAWN 212739454 ENGINEER SEE PLM

REVISE ON CAD ONLY  
NX PART: 448W2907



THIS DRAWING IS PREPARED IN ACCORDANCE WITH ISO 1101-2004

© COPYRIGHT 2018-2019 General Electric Company (USA). All rights reserved. The information herein is Proprietary and Technically Exclusive content that is solely owned by General Electric Company and/or its affiliates. Thus, it is being provided with the explicit expectation of restricted and privileged use. All persons, or legal entities receiving this information shall be deemed by the act of its receipt to have contractually agreed to make no duplications, reproductions of any nature by any means, modifications, disclosures, or use any portion of this material except as is expressly authorized in writing by General Electric Company and/or its legitimate affiliates.

GE CLASS II (INTERNAL NON-CRITICAL)

UNLESS OTHERWISE SPECIFIED DIMENSIONS ARE IN MILLIMETERS	DWG TYPE OUTLINE	SIZE	CAGE CODE	DWG NO
TOLERANCE CLASS: ISO 2768-m ISO 8015-H	DRAWN 105015424 DRAWN DATE (YYYY-MM-DD) 2018-10-27 CHECK SEE PLM	A0	NONE	448W2907
FIRST ANGLE PROJECTION	CHECK DATE (YYYY-MM-DD) ENGR SEE PLM ENGR DATE (YYYY-MM-DD)	SCALE	NONE	ACTUAL WT NA
MATERIAL: NA	ADDITIONAL APPROVALS SEE PLM FOR APPROVAL INFORMATION FOR GE USE ONLY ML/PBM CODE/UNIT TYPE #690 DWG SOURCE NX12 SIMILAR TO 448W2702 DOL CODE US-SC, GREENVILLE			SHEET 1 OF 1

TURBINE 161MHH, 158M ROTOR  
CONCRETE-HYBRID TOWER