

Top Stack ∇ +31600
[+377.022]

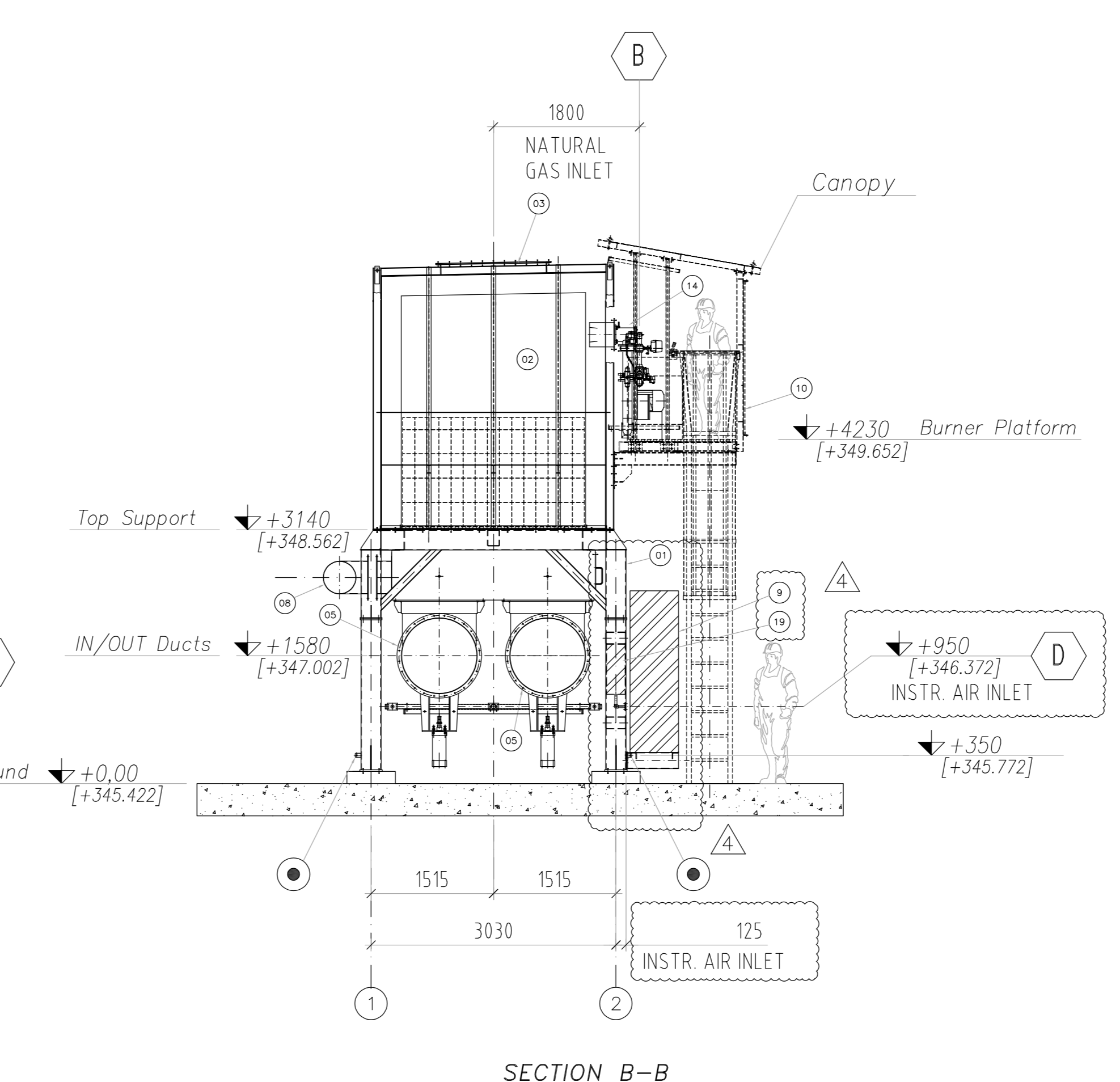
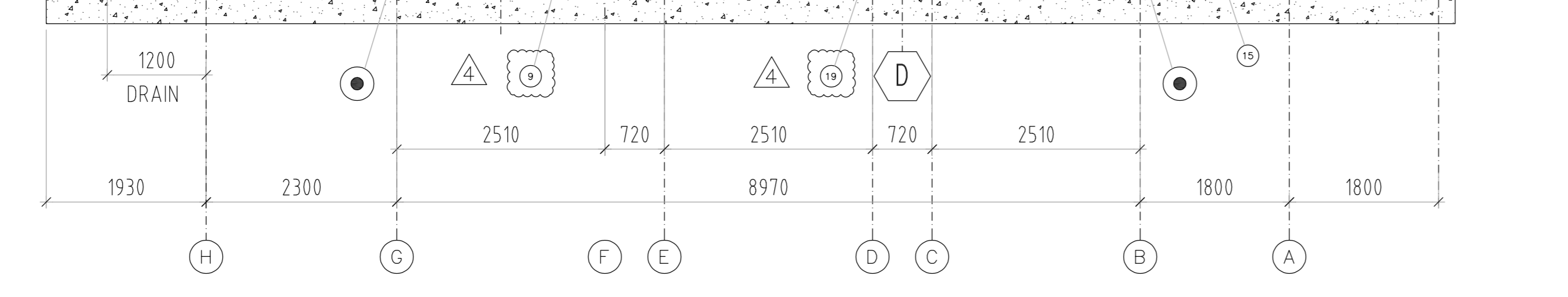
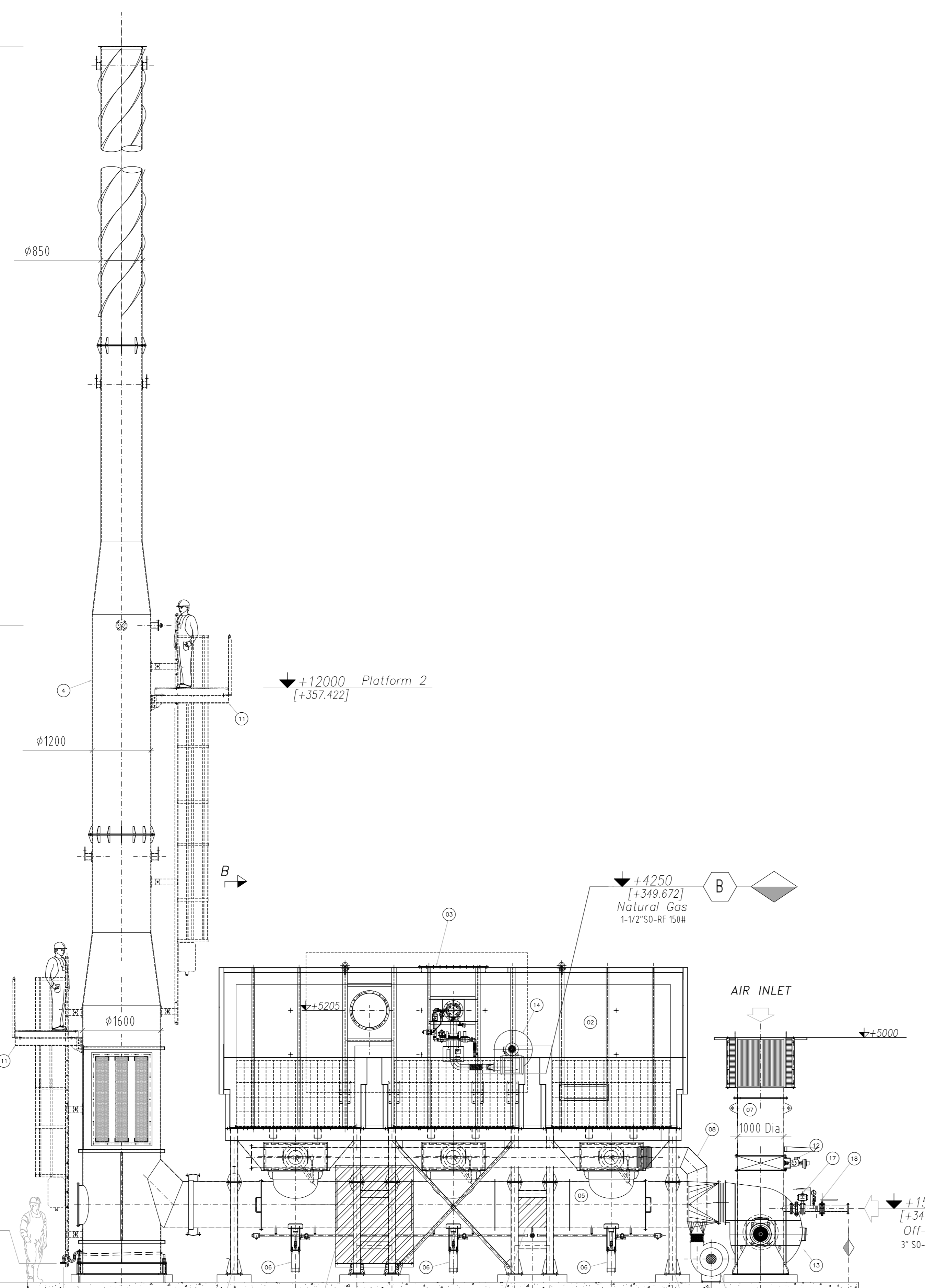
Simple Nozzles ∇ +13425
[+358.847]

Platform 1 ∇ +5000
[+350.422]

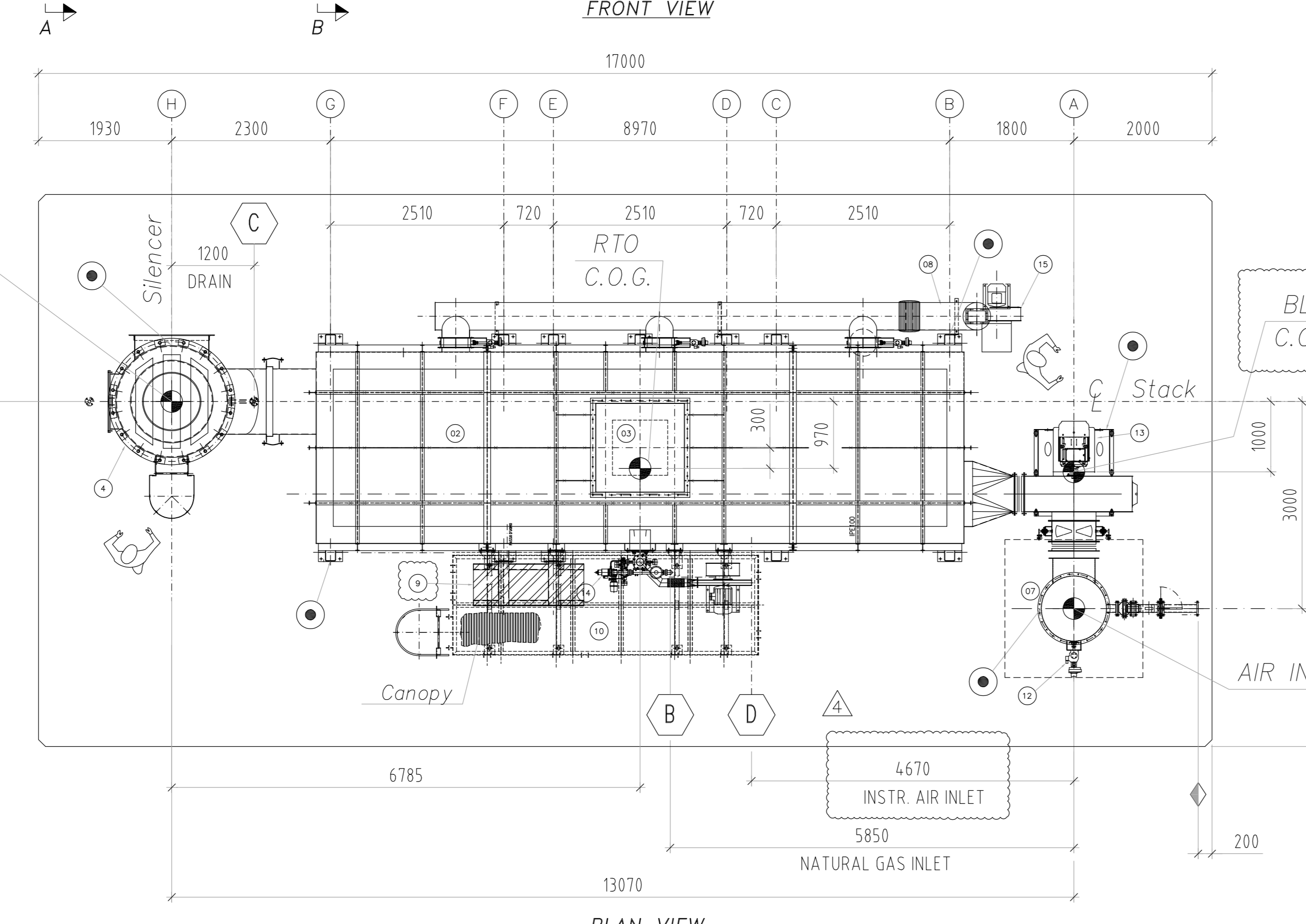
Stack Silencer ∇ +3586
[+349.008]

Stack Man Hole ∇ +1600
[+347.022]

Ground ∇ +0,00
[+345.422]

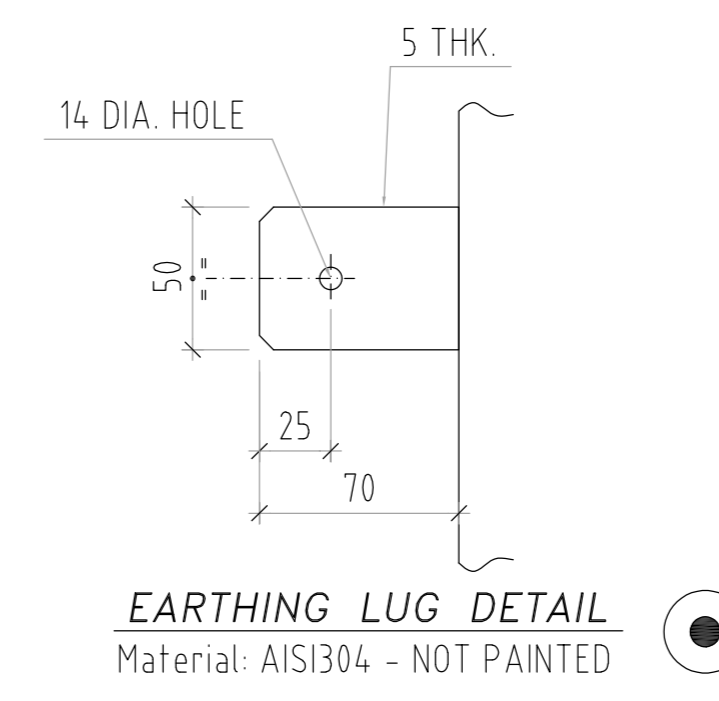


BY OTHERS TCD ITALIA
BATTERY LIMITS



RTO EMPTY WEIGHT: 21100 Kg
RTO OPERATING WEIGHT: 42600 Kg

CONNECTION LIST						
ITEM	Q.ty	Size	Rating	Type	Service	Note
A	1	3"	150#	SO-RF	OFF GAS	ANSI B16.5
B	1	1-1/2"	150#	SO-RF	NATURAL GAS INLET	ANSI B16.5
C	1	1"	150#	SW-RF	DRAIN	ANSI B16.5
D	1	3/4"	150#	SW-RF	INSTR. AIR	ANSI B16.5



19	1	PANNELLO PNEUMATICO PNEUMATIC PANEL
18	2	VALVOLA ESCLUSIONE IMPIANTO RTO SHUT-OFF VALVE
17	1	VALVOLA INGRESSO IMPIANTO PLANT INLET VALVE
16	3	VALVOLE DI LAVAGGIO PURGE AIR VALVES
15	1	VENTILATORE DI LAVAGGIO PURGE AIR BLOWER
14	1	BRUCIATORE CON GRUPPO VALVOLE BURNER c/w VALVE TRAIN
13	1	VENTILATORE DI PROCESSO PROCESS AIR BLOWER
12	1	SERRANDA ARIA AIR DAMPER
11	1	PASSERELLA CAMINO CON SCALA STACK LADDERS AND PLATFORMS (By Others)
10	1	PASSERELLA DI SERVIZIO CON SCALA SERVICE PLATFORM with LADDER (By Others)
9	1	QUADRO ELETTRICO ELECTRIC BOARD
8	1	CONDOTTO DI LAVAGGIO PURGE AIR DUCT
7	1	CONDOTTO INGRESSO ARIA AIR INLET DUCT
6	6	VALVOLE INVERSIONE CICLO CYCLE SWITCH VALVES
5	1	CONDOTTO D'INGRESSO/USCITA INLET/OUTLET DUCT
4	1	CAMINO STACK
3	1	PORTELLO CARICO/SCARICO MATTONI CERAMICI CERAMIC MASS LOADING/UNLOADING PORT
2	1	CAMERA DI COMBUSTIONE COMBUSTION CHAMBER
1	1	STRUTTURA SOSTEGNO TRAMOGGIE HOPPER STRUCTURE

GENERAL NOTES

- 1) ALL DIMENSIONS SHOWN ON THE DRAWING ARE IN MILLIMETERS (UNLESS OTHERWISE NOTED)
- 2) ALL FLANGE BOLT HOLES OFF CENTERS EQUALLY SPACED ABOUT MAIN CENTER LINE
- 3) ELEVATION 0,00 CORRESPONDS TO EL. +345.422
- 4) FOR PIPE SUPPORTS PROVIDE "U-BOLT", WITH TEFLON AROUND THE PIPES FOR PROTECTION.

Rev.	Datum	Beschreibung	erstellt	geprüft	freigegeben	Datum	freigegeben
0E	28.11.2023	REVISED WHERE INDICATED	FERRARI	CASALINUOVO	ANTONELLI		
0D	18.10.2023	REVISED WHERE INDICATED	FERRARI	CASALINUOVO	ANTONELLI		
0C	28.09.2023	ADD EQUIPMENT'S CENTERS OF GRAVITY	FERRARI	CASALINUOVO	ANTONELLI		
0B	03.08.2023	FOR APPROVAL	FERRARI	CASALINUOVO	ANTONELLI		
0A	23.06.2023	FIRST ISSUE	FERRARI	CASALINUOVO	ANTONELLI		

Projekt - Nr.		Standort / Projektname	
DG-001115		LNG LIQUEFACTION PLANT	
Datum		Name	
23.06.2023		FERRARI	
Gepr.		Name	
23.06.2023		CASALINUOVO	
Freig.		Name	
23.06.2023		ANTONELLI	
Schutzmerk		F-Tech	
ISO 18016 beachten		Standortkurzname	
A1		A-Art	
1:75		A-Teil	
		D-Art	
		Lfd.-Nr	
		Blatt	
		Ausg.	
Urspr.: EST 106224 Rev.0E		Ers.f.:	
		Ers.d.:	

Rev	Datum	Descrizione	Redatto	Controlato	Visto	Approved
4	28.11.2023	Revised where indicated	SV	RB	AP	
3	18.10.2023	Revised where indicated	SV	RB	AP	
2	28.09.2023	Add Equipment's Centers of gravity	SV	RB	AP	
1	03.08.2023	For Approval	SV	RB	AP	
0	23.06.2023	First issue	SV	RB	AP	

TCDitalia srl
www.tcditalia.it

Subject: REGENERATIVE THERMAL OXIDIZER
Micro. Plant 50 KPTA

Item: IN16200

Title: THERMAL OXIDIZER - GENERAL LAYOUT WITH VALVES
NOZZLES / FLANGES POSITION AND DIMENSIONS

Client: SIAD
Commissio: T295-23
Disegno: EST106224

Client: SIAD
Job: T295-23
Drawing: EST106224

Scale: 1:75
Form: A1
Rev. 4