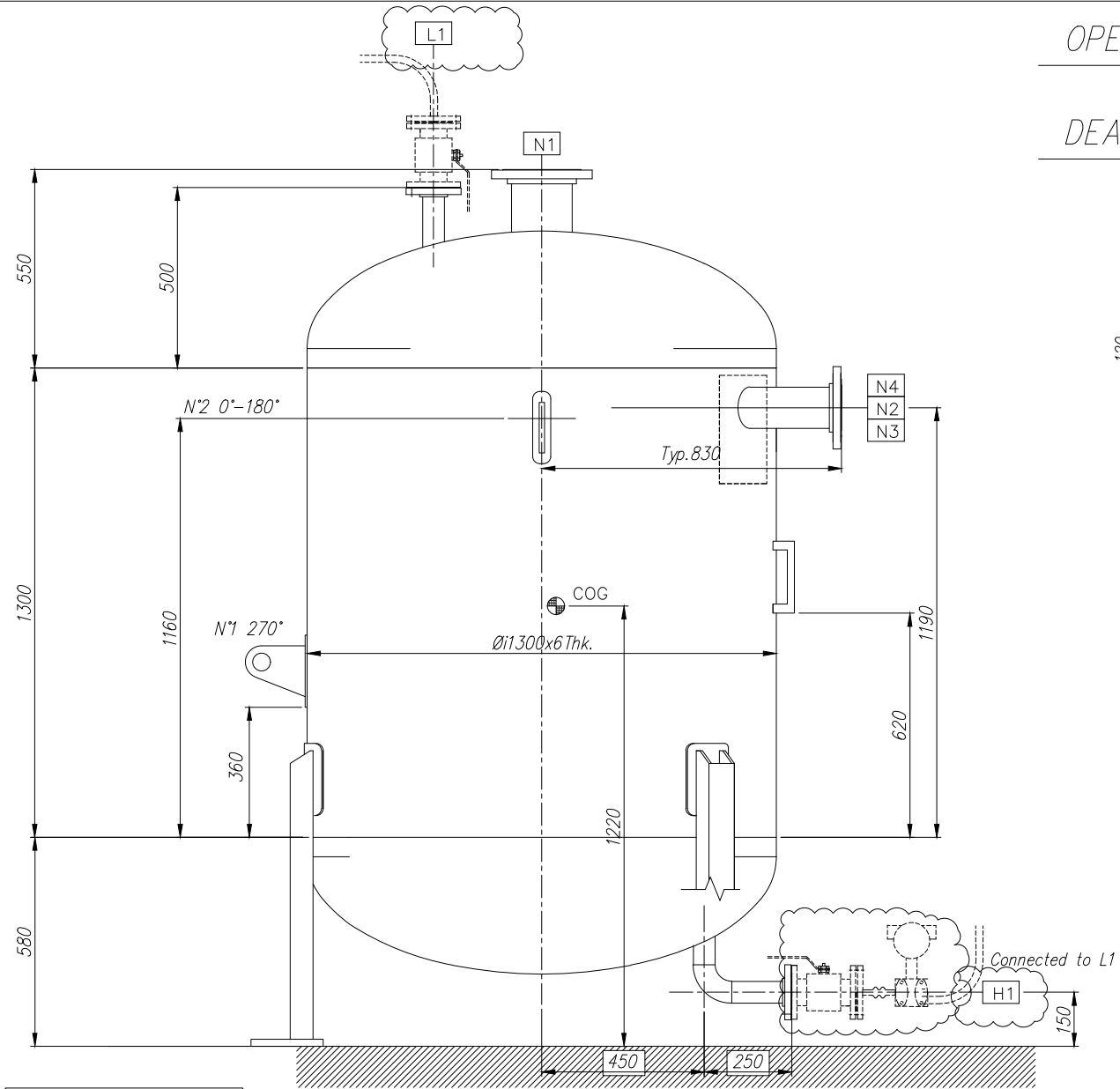


OPERATING LOAD : 40 KN

DEAD LOAD : 30 KN



120

STC S.T.C. s.r.l.
Via Patelli, 17 24066 PEDRENGO (BG) - ITALY
Phone : +39 035 667020
Website : <http://www.stcfilters.com/>

TYPE: LNG DRAIN KO DRUM

DESIGN PRESS. PS: 0 - 6 Bar S/N: 7111

DESIGN TEMP. TS: -196 +40 °C CAP. L: 2400

TEST PRESSURE PT: 8.58 Bar YEAR: 2023

FLUID-STATE: LNG+NATURAL GAS / LIQUID+GAS

GROUP: T CATEGORY: IV MATERIAL: 0496

R.T. TOX: CORR. ALLOW. min: 0

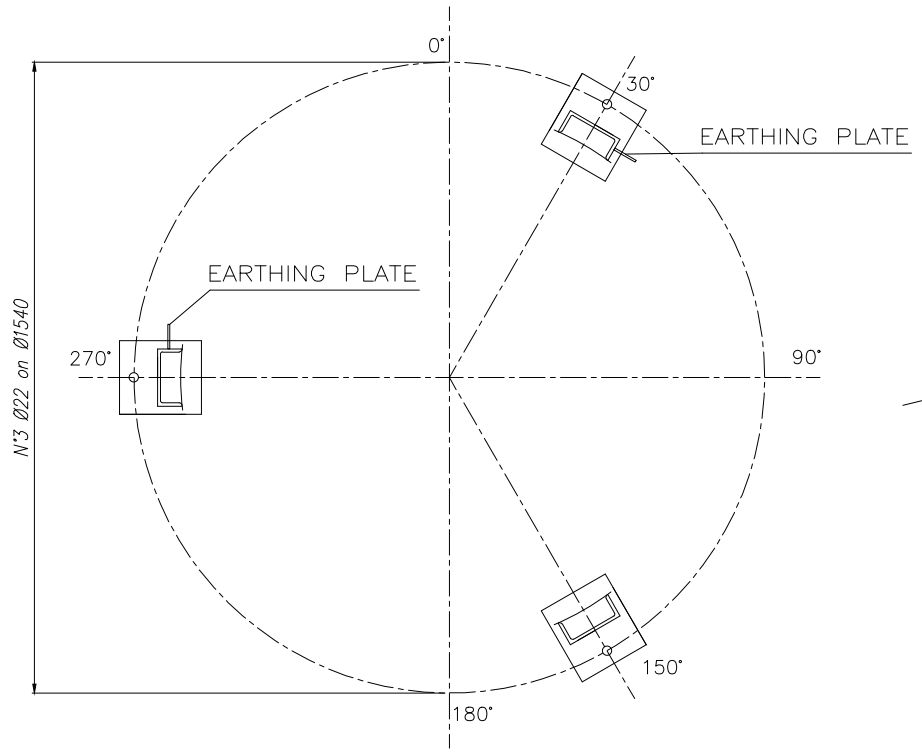
WEIGHT KM: 40

ITEM: V26000 ATEX: B2G Ex D IIA12 GB

DESIGN CODE: EN13445 Gr.3c / PED 2014/68/UE

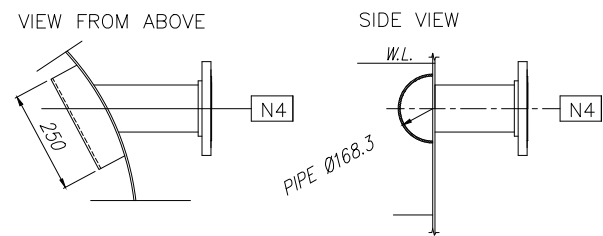
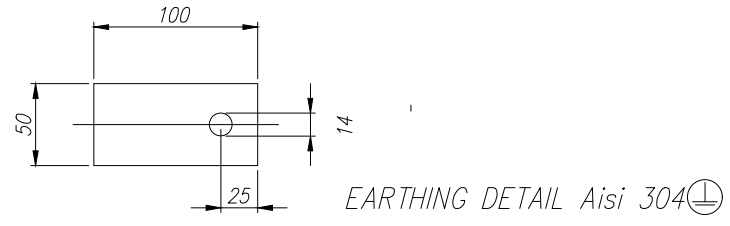
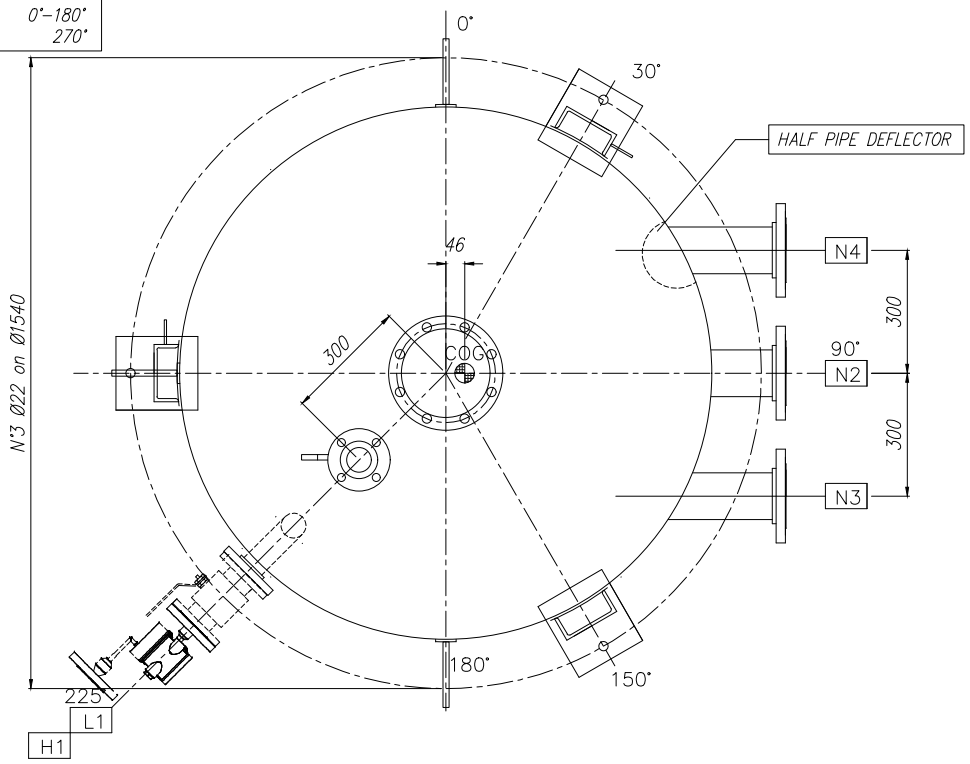
POS.	Q.TA' Q.TY	DN Ø	PN RATING	TIPO TYPE	Øe x sp. Øe x thk.	SERVIZIO SERVICE	NOTE NOTES
H1	1	2"	150	SO. RF.	**	LEVEL TRANSMIT. H TAP	INSTRUMENT+BALL VALVE
L1	1	2"	150	SO. RF.	**	LEVEL TRANSMIT. L TAP	INSTRUMENT+BALL VALVE
N4	1	4"	150	SO. RF.	**	LIQUID NATURAL GAS INLET	
N3	1	4"	150	SO. RF.	**	NG INLET from PSV705	
N2	1	4"	150	SO. RF.	**	NG INLET from HV715	
N1	1	6"	150	SO. RF.	**	VENT	

CONNECTIONS LIST



PLAN ORIENTATION

NAMEPLATE AT	90°
LONG WELD AT	315°
EARTHING PLATE AT	30°-270°
LIFTING LUG AT	0°-180°
LIFTING LUG AT	270°



DRAWING No- STC-B1418 ORDER No C.300-23

Constructor **STC** WE FILTER ALL YOU NEED

S.T.C. s.r.l.
Via Patelli, 17 24066 PEDRENGO (BG) - ITALY
Phone : +39 (0)35 667020
Website : <http://www.stcfilters.com/>

Rev.	Datum	Beschreibung	erstellt	geprüft	freigegeben	Datum	freigegeben
06	30/01/2024	ISSUE	S.A.R.	G.S.	G.S.		
05	19/12/2023	ISSUE	S.A.R.	G.S.	G.S.		
04	04/12/2023	ISSUE	S.A.R.	G.S.	G.S.		
03	24/11/2023	ISSUE	S.A.R.	G.S.	G.S.		
02	11/10/2023	ISSUE	S.A.R.	G.S.	G.S.		
01	26/09/2023	ISSUE	S.A.R.	G.S.	G.S.		
0A	01/08/2023	ISSUE	S.A.R.	G.S.	G.S.		

Projekt - Nr.		Standort / Projektname	
DG-001115		LNG LIQUEFACTION PLANT	
Datum		Name	
11.10.2023		S.A.R.	
11.10.2023		G.S.	
11.10.2023		G.S.	
Schutzvermerk		Blattgr. Maßst. 1/	
ISO 16016 beachten		A0 1:6	

Logo: **SIAD** MACCHINE IMPIANTI, **bioplusLNG**, **OGE**

F-Tech	Standortkurzname	A-Art	Ani-Nr	A-Teil	D-Art	Lfd-Nr	Blatt	Änd
520	REZH	730	001	028	ZEN	001	01+	0C

Urspr.: EST 105967 Ers.f.: Ers.d.: