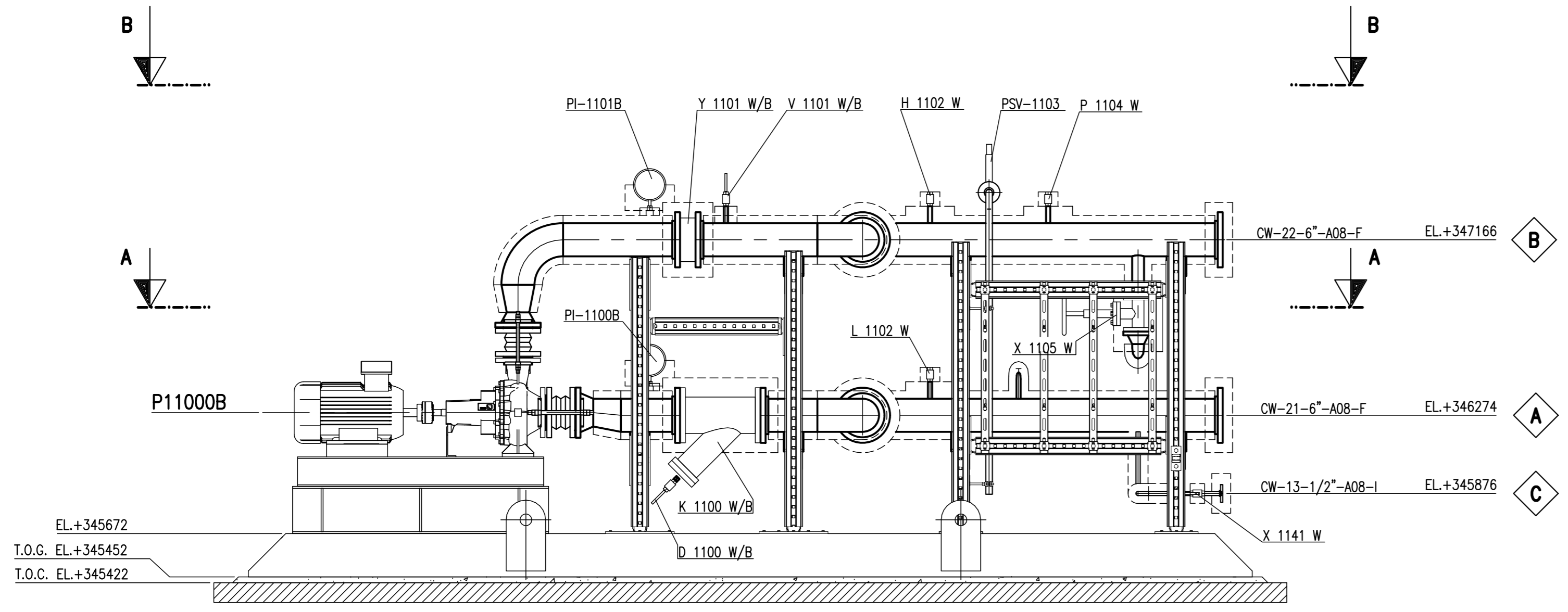
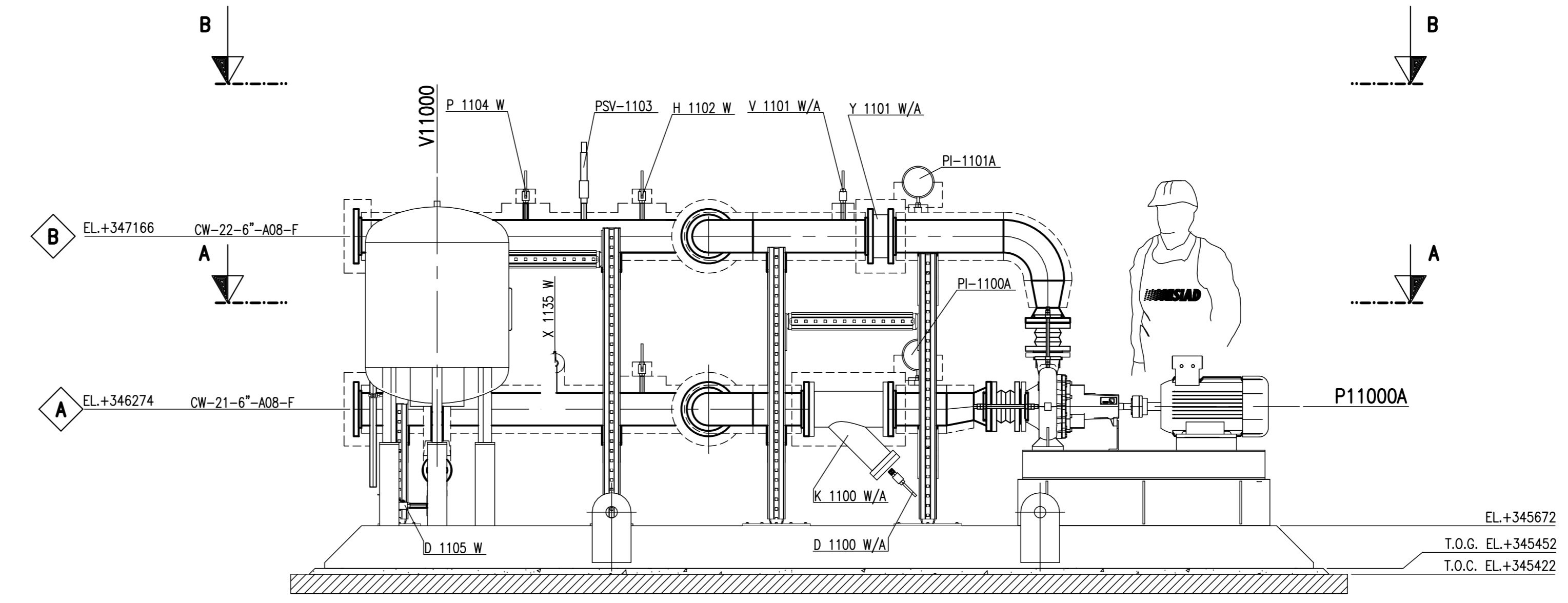


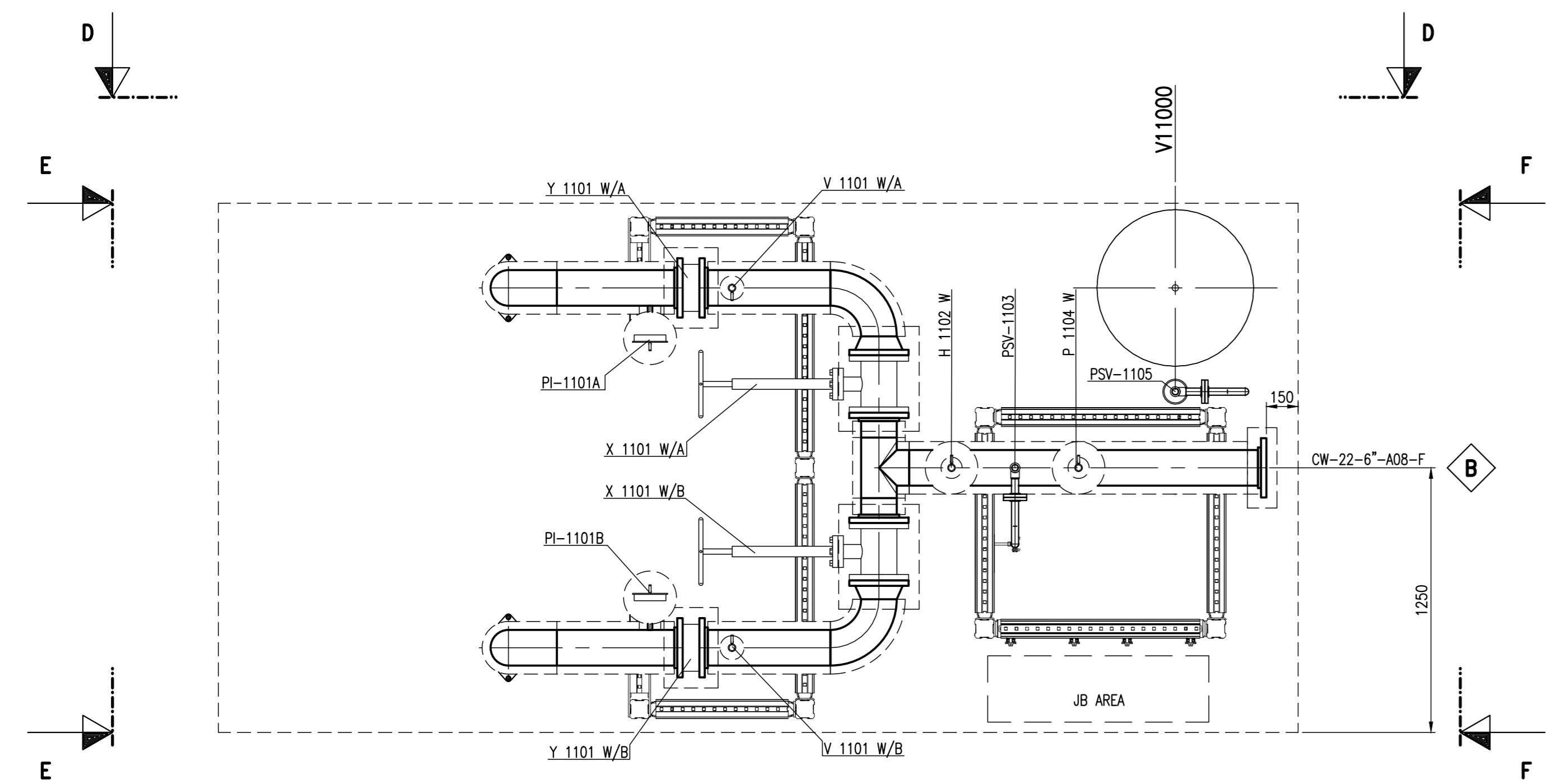
CONNECTION LIST			
	DESCRIPTION	LINE NUMBER	CONNECTION
A	CHILLED WATER INLET	CW-21-6"-A08-F	FLG. #6" 150# R.F.
B	CHILLED WATER OUTLET	CW-22-6"-A08-F	FLG. #6" 150# R.F.
C	WATER INLET FOR FILLING CHILLED WATER CIRCUIT	CW-13-1/2"-A08-I	FLG. #1/2" 150# R.F.



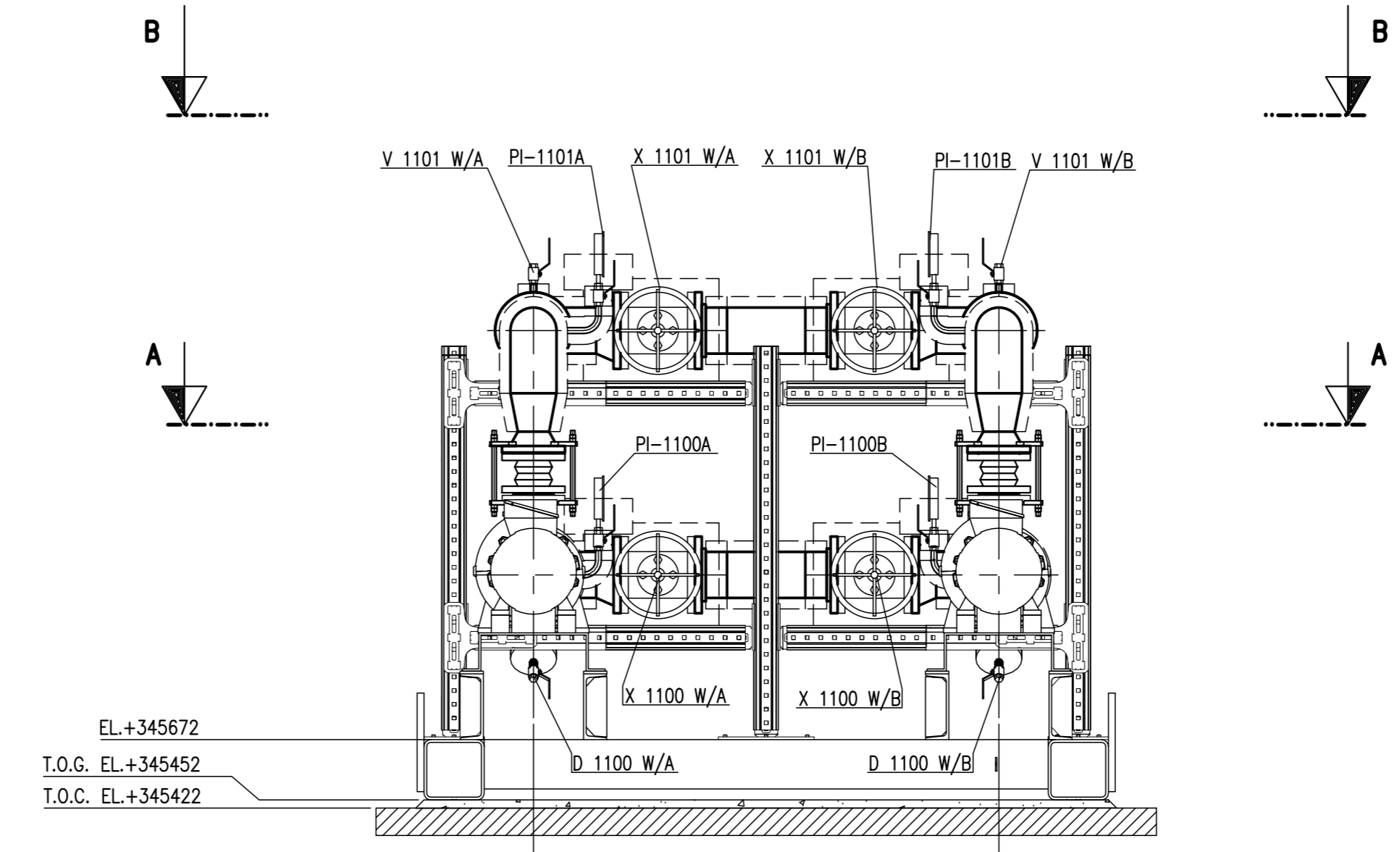
VIEW "C-C"



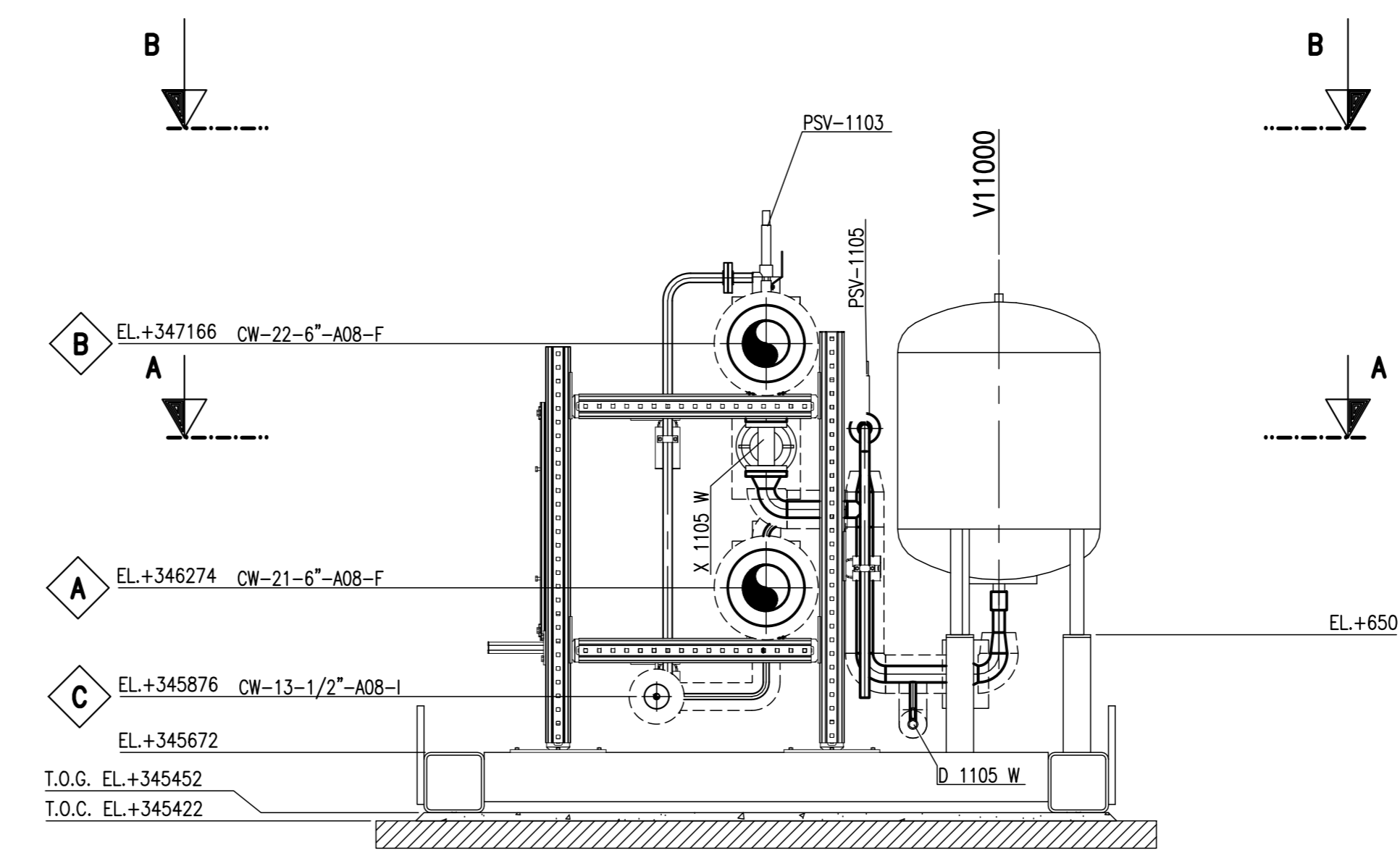
VIEW "D-D"



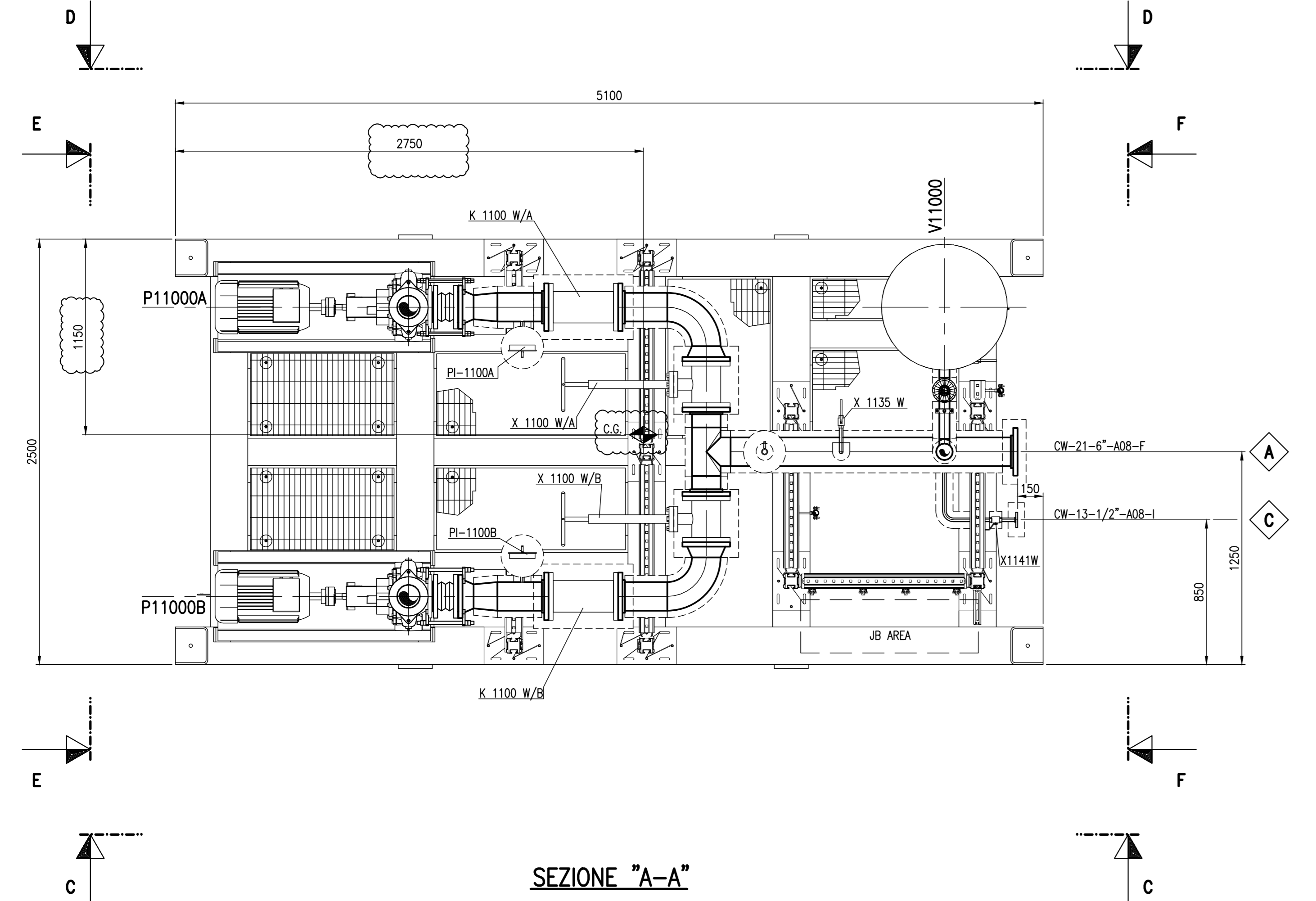
SECTION "B-B"



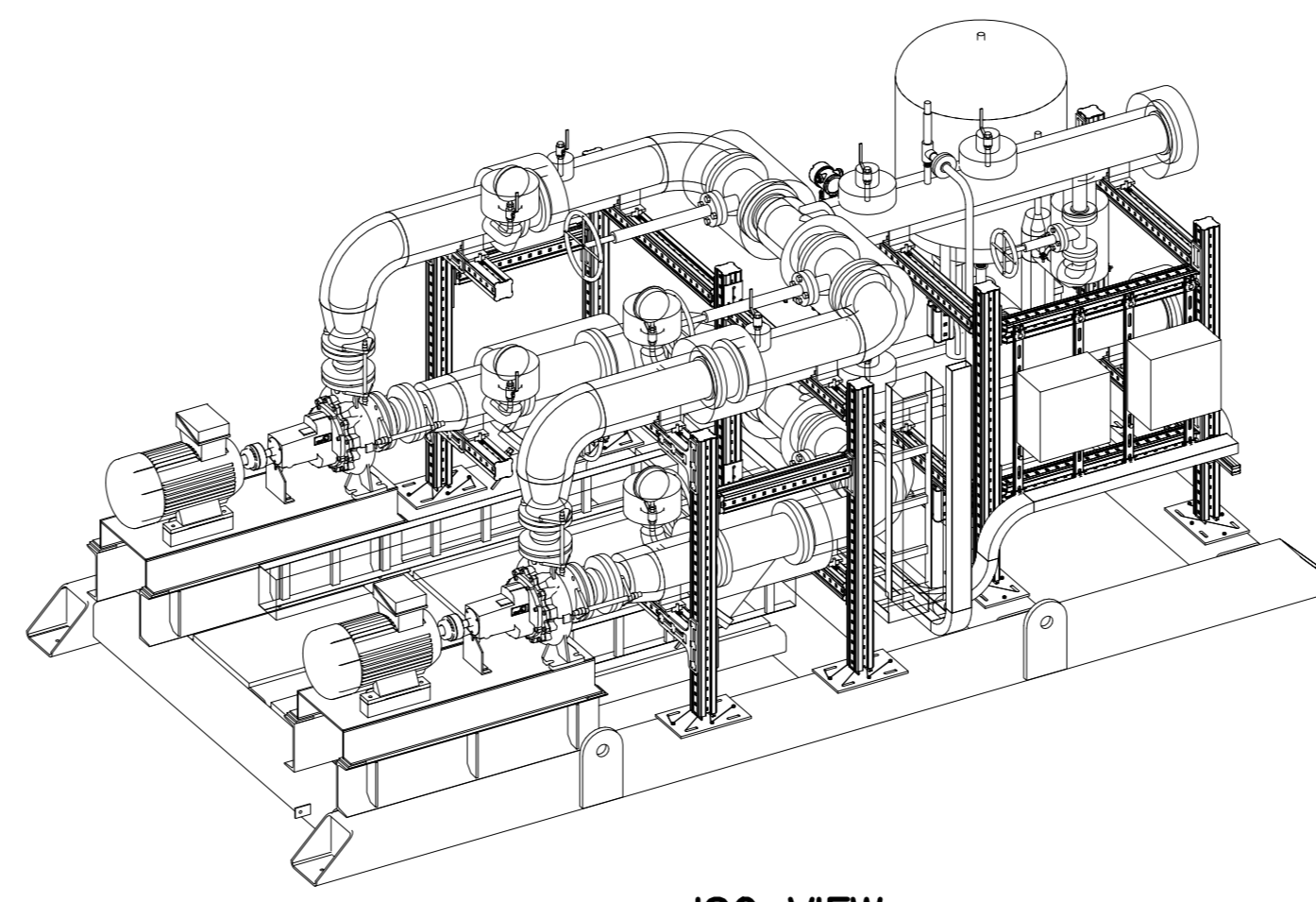
VIEW "E-E"



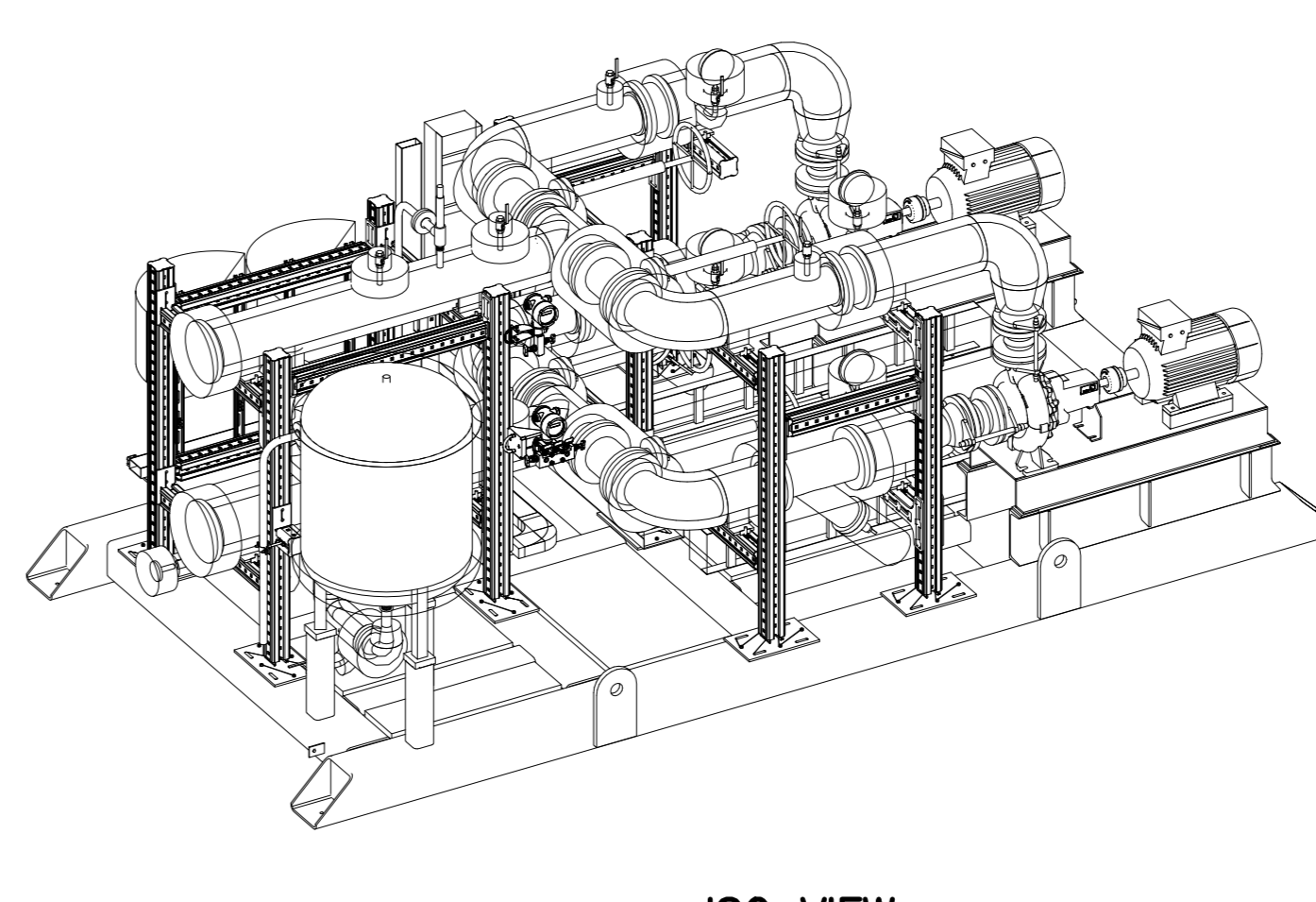
VIEW "F-F"



SEZIONE "A-A"



ISO VIEW



ISO VIEW

NOTE
 1. ALL DIMENSIONS ARE IN MILLIMETERS
 2. T.O.G. = TOP OF GROUT - T.O.C. = TOP OF CONCRETE

REF. DOCUMENTS
 • FOUNDATION LAYOUT WITH LOADS AND TRENCHES
 SEE DWG. I 20833 - 422REZH030001001PLY001

Revisi		Date		Description		By		Check		Date		Description	
01	10/10/2023	REVISI	10/10/2023	REVISI	10/10/2023	REVISI	10/10/2023	REVISI	10/10/2023	REVISI	10/10/2023	REVISI	10/10/2023
02	17/07/2023	REVISI	17/07/2023	REVISI	17/07/2023	REVISI	17/07/2023	REVISI	17/07/2023	REVISI	17/07/2023	REVISI	17/07/2023
03	21/02/2023	REVISI	21/02/2023	REVISI	21/02/2023	REVISI	21/02/2023	REVISI	21/02/2023	REVISI	21/02/2023	REVISI	21/02/2023

Project No.	DG-001115	Standard / Revision	
Date	17/07/2023	Name	Zachungsbemerkung
Rev	01	Author	ANTONELLI
Rev	02	Author	ANTONELLI
Rev	03	Author	ANTONELLI
Rev	04	Author	ANTONELLI
Rev	05	Author	ANTONELLI
Rev	06	Author	ANTONELLI
Rev	07	Author	ANTONELLI
Rev	08	Author	ANTONELLI
Rev	09	Author	ANTONELLI
Rev	10	Author	ANTONELLI
Rev	11	Author	ANTONELLI
Rev	12	Author	ANTONELLI
Rev	13	Author	ANTONELLI
Rev	14	Author	ANTONELLI
Rev	15	Author	ANTONELLI
Rev	16	Author	ANTONELLI
Rev	17	Author	ANTONELLI
Rev	18	Author	ANTONELLI
Rev	19	Author	ANTONELLI
Rev	20	Author	ANTONELLI