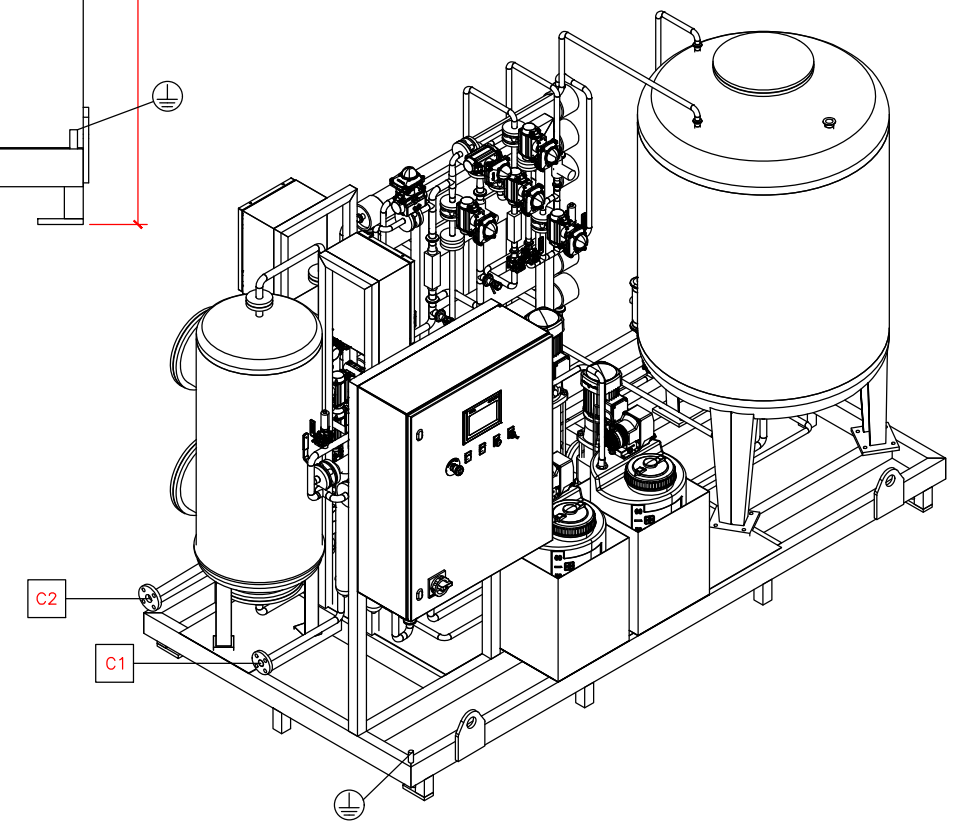
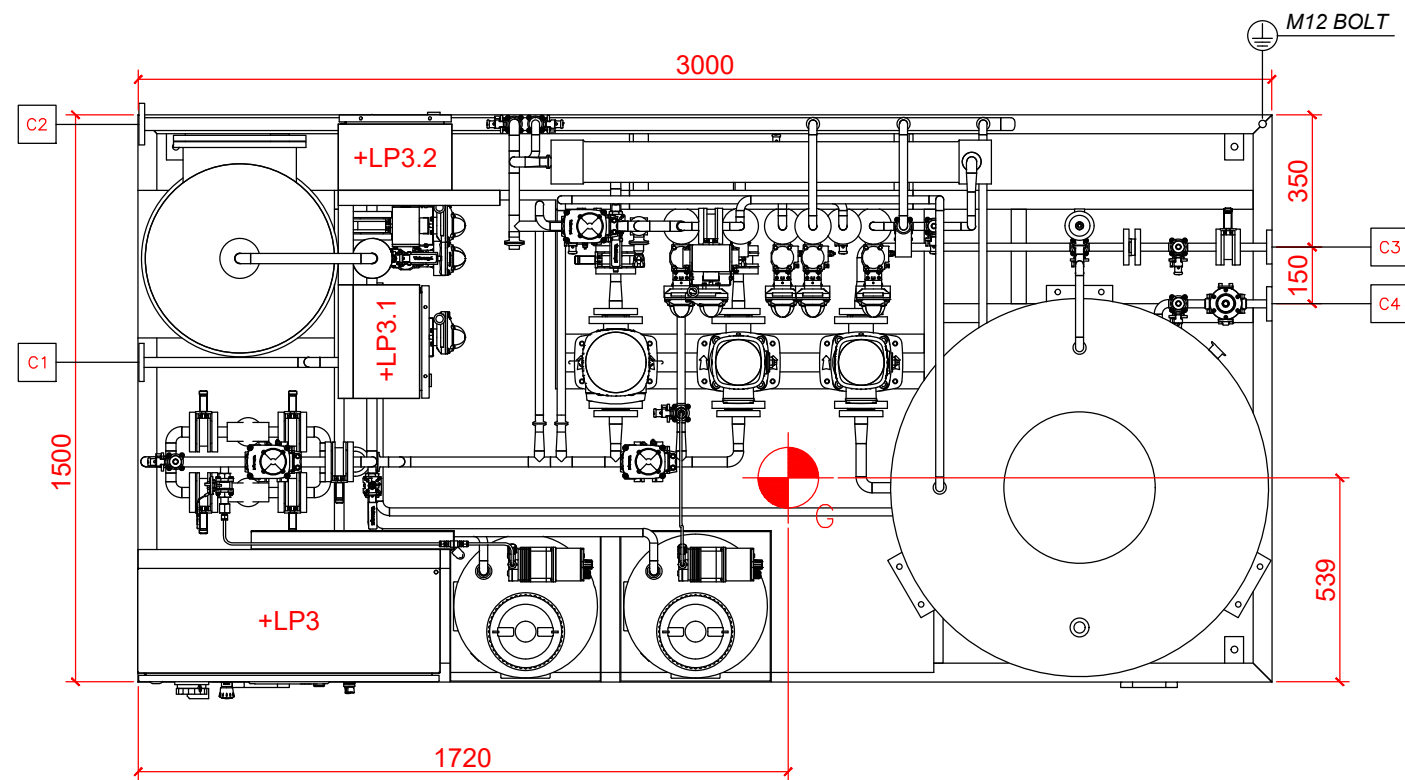
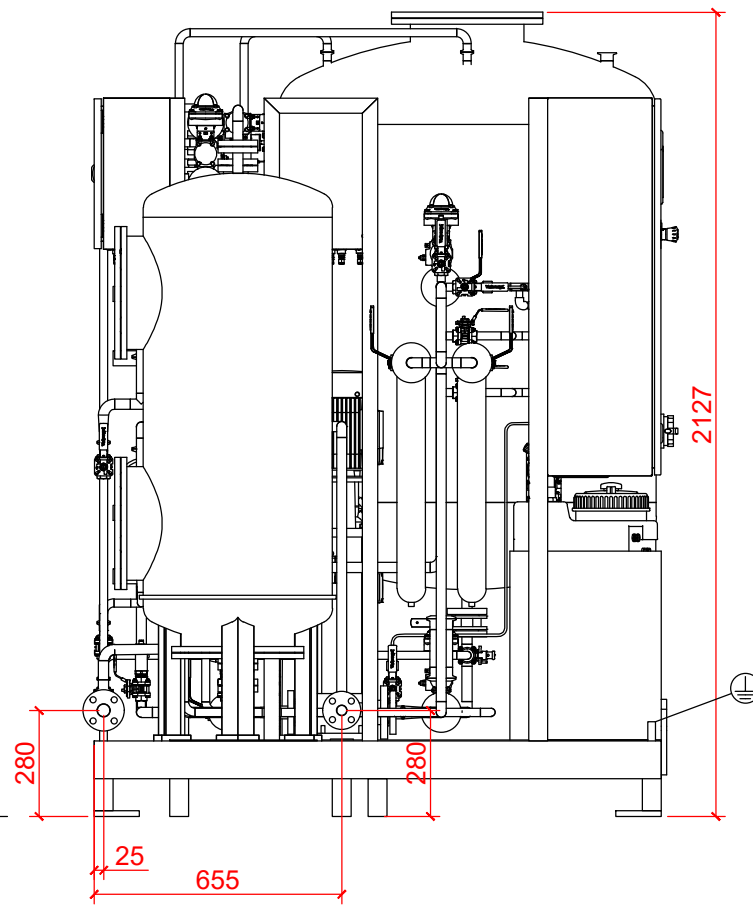
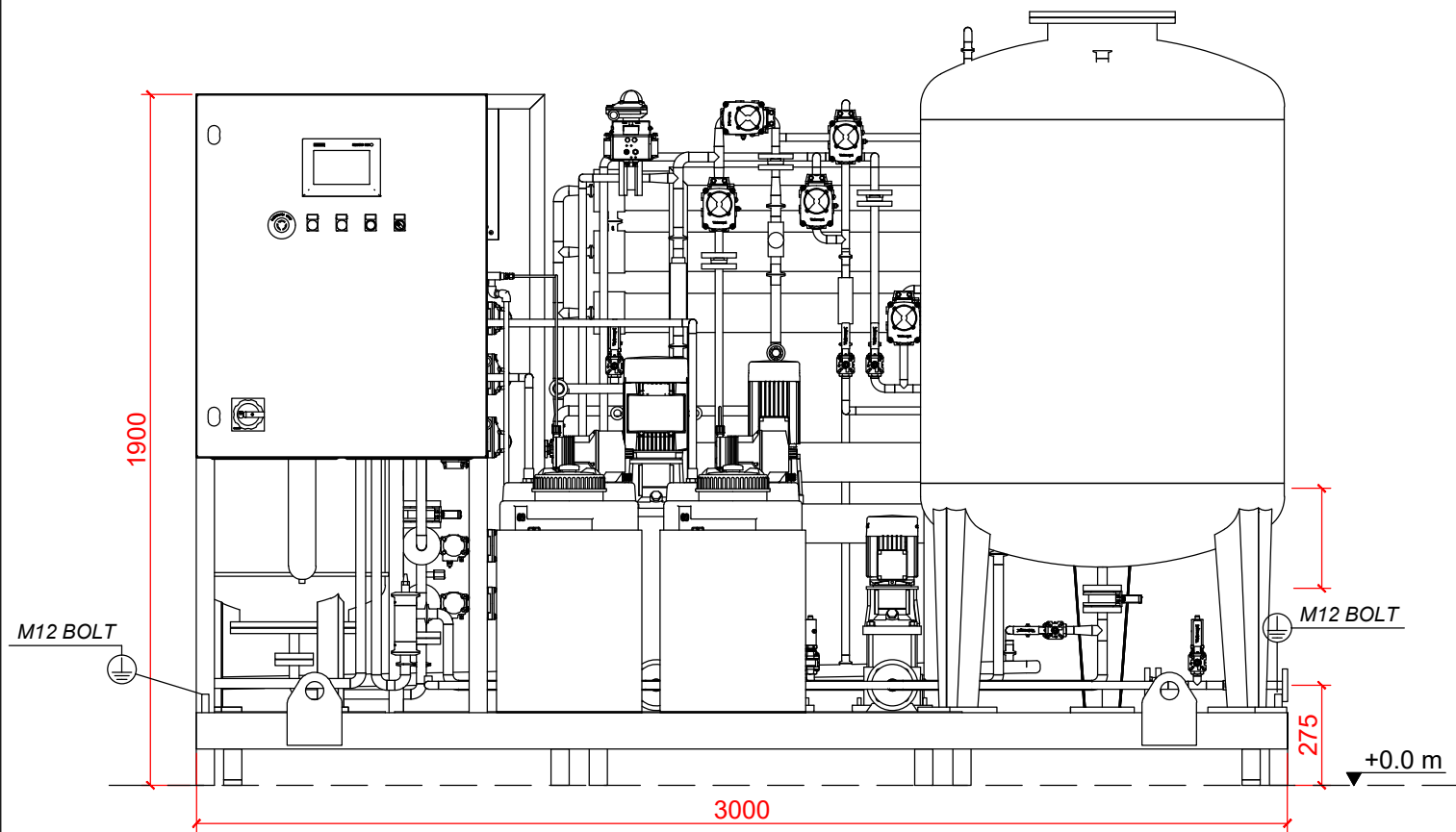




MAXIMUM HEIGHT FOR PUMP REPLACEMENT

+2.3 m



PROCESS CONNECTIONS DATA			
POS.	RATING - TYPE ASME B16.5	SIZE	SERVICE
C1	150# - SLIP-ON RF	3/4"	WATER INLET
C2	150# - SLIP-ON RF	1"	DRAIN WATER
C3	150# - SLIP-ON RF	1/2"	DEMI WATER
C4	150# - SLIP-ON RF	1/2"	INSTRUMENT AIR INLET

INSTRUMENT AIR SUPPLY: 7 barG
POWER SUPPLY: 400 Vac 3Ph+N+T - 5kW - 10A

2	25/07/2023	First issue	Pulcini M.	Facci M.	Facci M.
Rev.	Date	Description	Designer	Checked	Approved
			Chemicals for water tratment Via Giorgio Perlasca, 44 24057 Martinengo (Bg) Italy www.facci-service.it		
S.M.I. - GERMANY DW8000 - WATER TREATMENT PLANT JOB:23-0403					
			Format	Scale	
			A3	1:20	
			Date	Rev.	
			17/11/2023	2	
			Drawing n°:		
			23-0403-2.0		