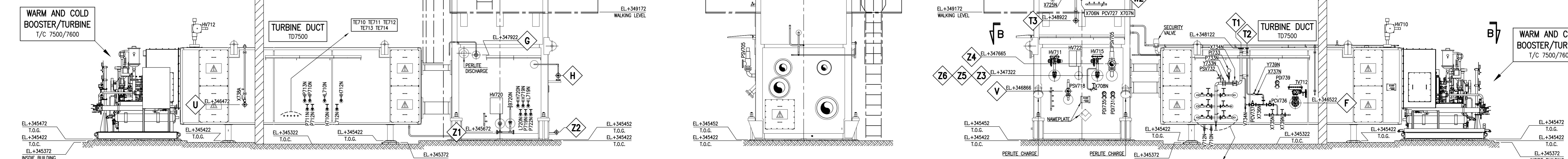
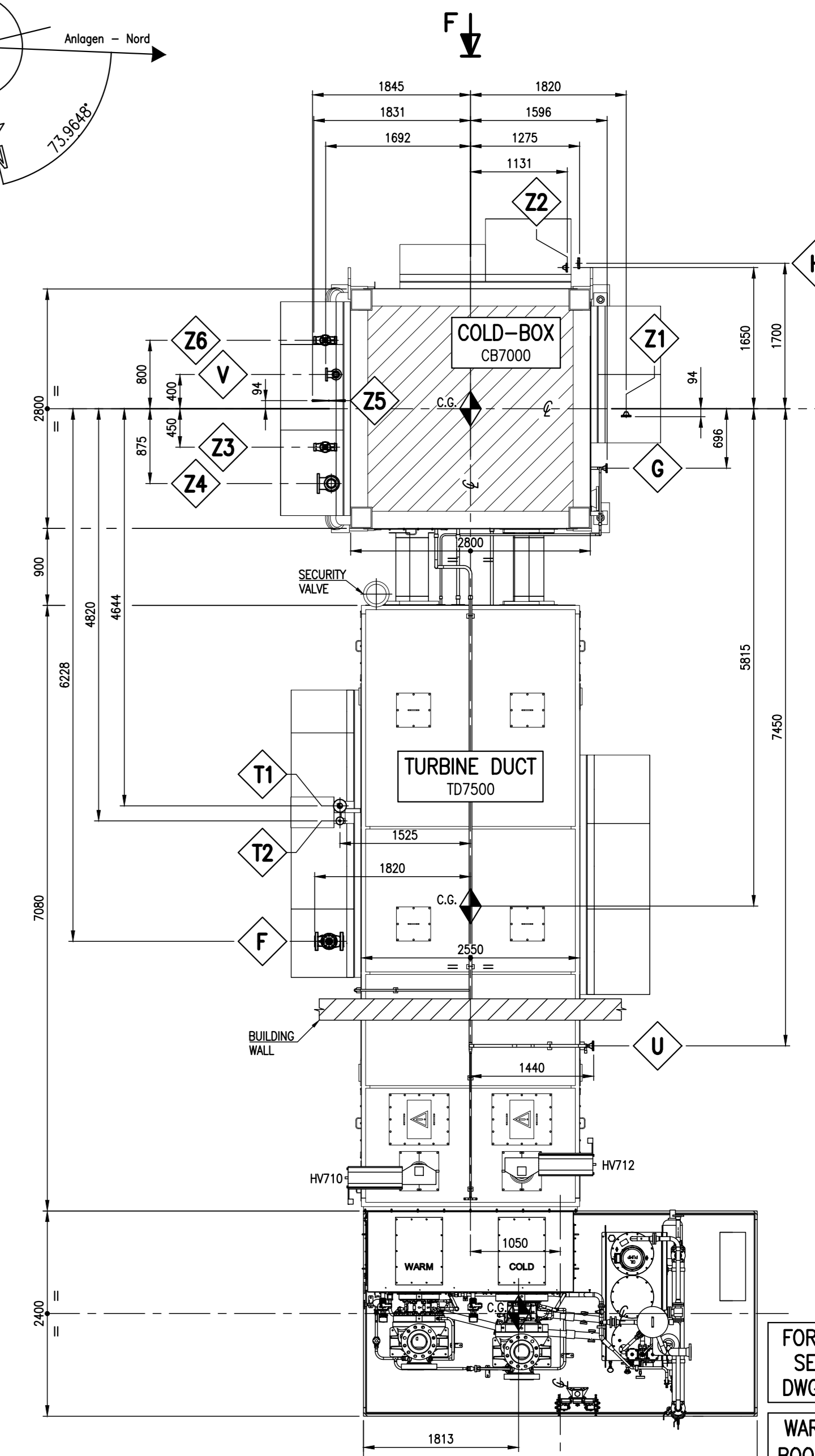
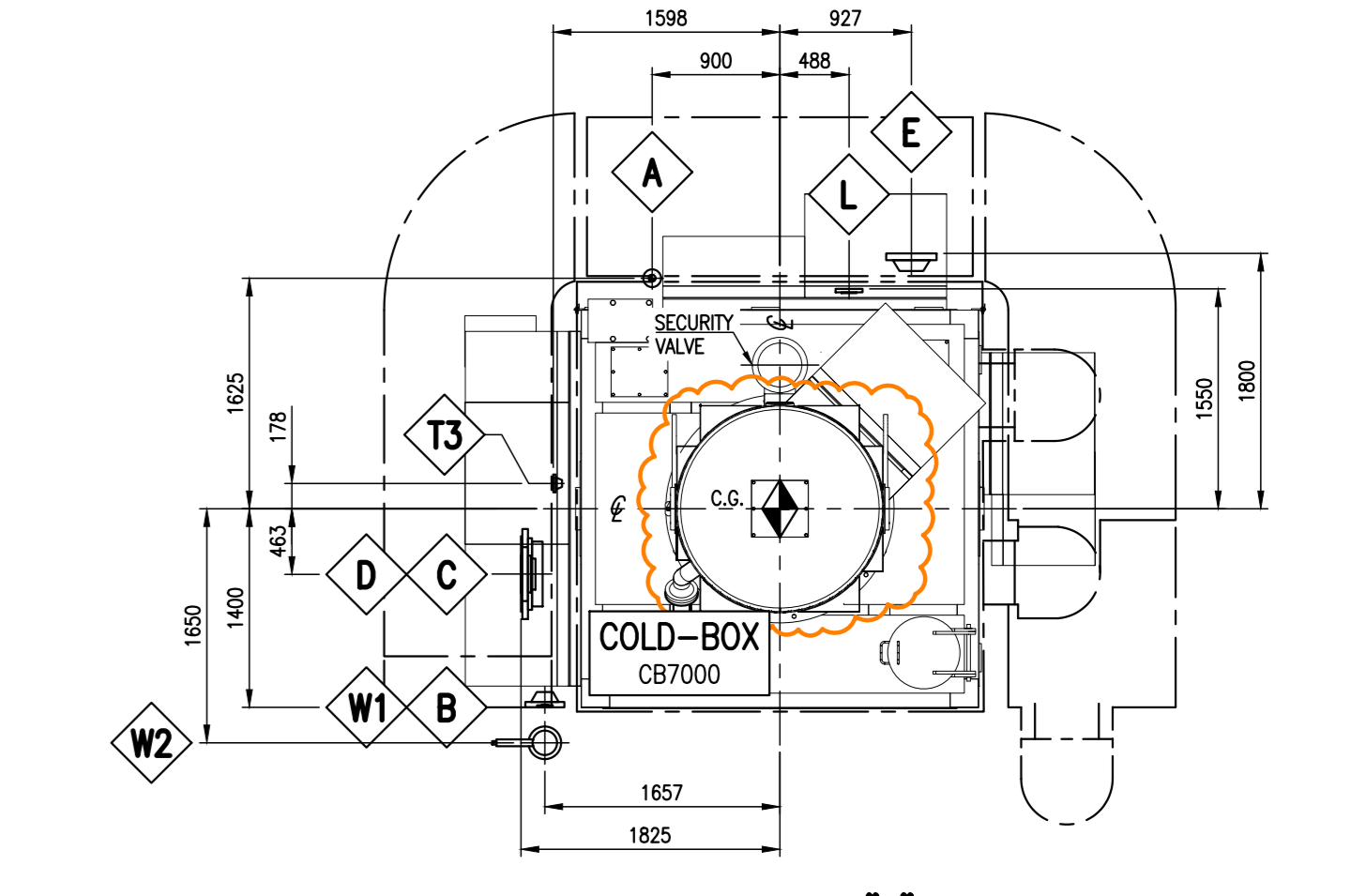
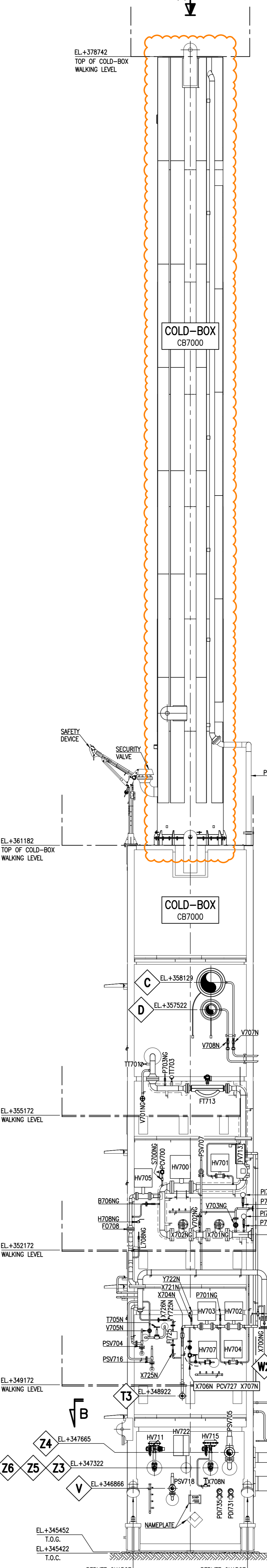
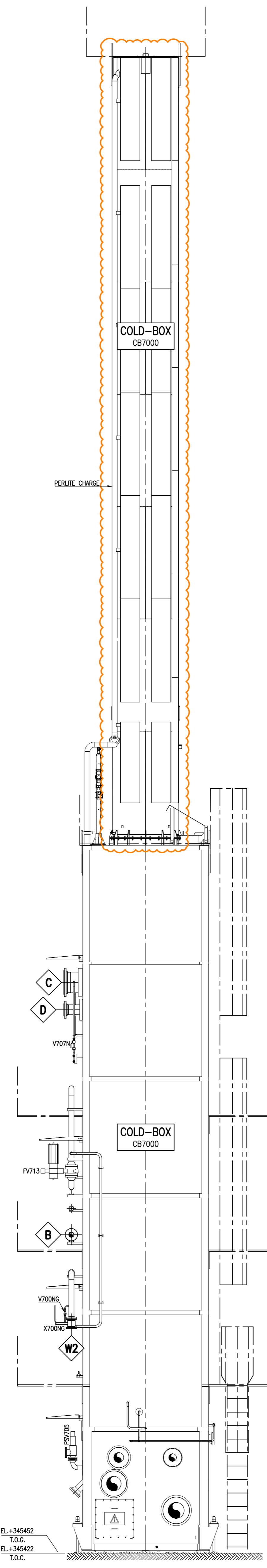
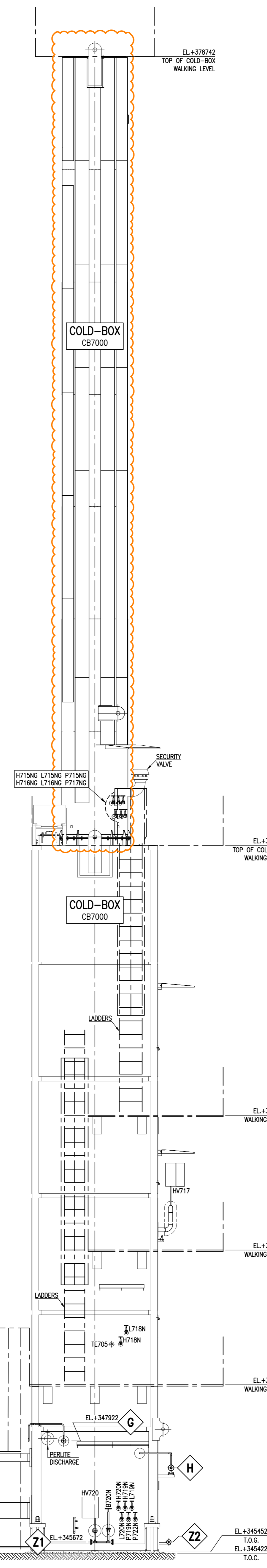


CONNECTION LIST			
	DESCRIPTION	LINE NUMBER	CONNECTION
A	TO N2 RECYCLE COMPRESSOR AND COLD VENT COLLECTOR	N-105-1/2"-A18-V	FLG. #1/2" 150# R.F.
B	NG INLET	NG-10-4"-C18-F	FLG. #4" 600# R.F.
C	TO N2 RECYCLE COMPRESSOR FROM TURBINE	N-102-18"-A30-N	FLG. L.J. #18" 150#
D	HPN FROM N2 RECYCLE COMPRESSOR	HPN-102-6"-B30-N	FLG. L.J. #6" 300#
E	HPN FROM BOOSTER	HPN-100-6"-C29H-N	FLG. #6" 600# R.F.
F	BY-PASS HPN INLET	HPN-101-3"-C29H-N (Y712)	FLG. #3" 600# R.F.
G	LIN INLET	LIN-100-3/4"-A27-F	FLG. #3/4" 150# R.F.
H	FLASHING OUTLET	NG-101-1/2"-A29-F	FLG. #1/2" 150# R.F.
L	LNG OUTLET	LNG-103-3"-A27-N	FLG. #3" 150# R.F.
U	INSTRUMENT AIR INLET	A-04-1"-A18-V	FLG. #1" 150# R.F.
V	DISCHARGE PSV718	N-107-1/2"-A29-N (PSV718)	FLG. #2" 150# R.F.
T1	THAW GAS INLET	N-33-2"-A18-V	FLG. #2" 150# R.F.
T2	N2 CASING PURGE INLET	N-105-3/4"-A18-V	FLG. #3/4" 150# R.F.
T3	N2 INLET FROM LIQUIDATOR EMERGENCY AND PSV COLD-BOX DISCHARGE MANFOLD PURGING	N-23-1/2"-A18-V	FLG. 1/2" 150# R.F.
W1	TO HOT FLARE	NG-108-1"-A29-N	FLG. #1" 150# R.F.
W2	TO PSV AND VENT EXHAUST MANIFOLD	NG-21-4"-A29T-N (X700NG)	FLG. #4" 150# R.F.
Z1	LIN DRAIN	LIN-04-1"-A27-N	FLG. #1" 150# R.F.
Z2	LNG DRAIN	LNG-102-1"-A27-N	FLG. #1" 150# R.F.
Z3	DISCHARGE HV715	NG-101-3"-A29-N (HV715)	#2" S.W. (HV715)
Z4	DISCHARGE PSV705	NG-101-3"-A29-N (PSV705)	FLG. #4" 150# R.F.
Z5	DISCHARGE HV722	LNG-103-3/4"-A27-N (HV722)	#6" B.W. (HV722)
Z6	DISCHARGE HV711	LNG-103A-3"-A27-N (HV711)	#2" S.W. (HV711)



VIEW FROM "F"

VIEW FROM "E"

VIEW FROM "D"

VIEW FROM "C"

SECTION B-B

REF. DOCUMENTS

- FOUNDATION LAYOUT WITH LOADS AND TRENCHES SEE DWG. 1 208.33 - 422RZHD30001001P1Y001

NOTE

- ALL DIMENSIONS ARE IN MILLIMETERS
- T.O.G. = TOP OF GROUT - T.O.C. = TOP OF CONCRETE

Rev	Date	By	Check	Reason	Rev	Date	By	Check	Reason
01	2021.08.24			REVISED WHERE INDICATED	01	2021.08.24			REVISED WHERE INDICATED
02	2021.09.15			REVISED WHERE INDICATED	02	2021.09.15			REVISED WHERE INDICATED
03	2021.09.29			REVISED WHERE INDICATED	03	2021.09.29			REVISED WHERE INDICATED
04	2021.10.14			REVISED WHERE INDICATED	04	2021.10.14			REVISED WHERE INDICATED
05	2021.10.27			REVISED WHERE INDICATED	05	2021.10.27			REVISED WHERE INDICATED
06	2021.11.01			REVISED WHERE INDICATED	06	2021.11.01			REVISED WHERE INDICATED
07	2021.11.01			REVISED WHERE INDICATED	07	2021.11.01			REVISED WHERE INDICATED
08	2021.11.01			REVISED WHERE INDICATED	08	2021.11.01			REVISED WHERE INDICATED
09	2021.11.01			REVISED WHERE INDICATED	09	2021.11.01			REVISED WHERE INDICATED
10	2021.11.01			REVISED WHERE INDICATED	10	2021.11.01			REVISED WHERE INDICATED
11	2021.11.01			REVISED WHERE INDICATED	11	2021.11.01			REVISED WHERE INDICATED
12	2021.11.01			REVISED WHERE INDICATED	12	2021.11.01			REVISED WHERE INDICATED
13	2021.11.01			REVISED WHERE INDICATED	13	2021.11.01			REVISED WHERE INDICATED
14	2021.11.01			REVISED WHERE INDICATED	14	2021.11.01			REVISED WHERE INDICATED
15	2021.11.01			REVISED WHERE INDICATED	15	2021.11.01			REVISED WHERE INDICATED
16	2021.11.01			REVISED WHERE INDICATED	16	2021.11.01			REVISED WHERE INDICATED

Project No: DG-001115

Client: bioplusLNG

Contract: LNG LIQUEFACTION PLANT

Sheet: 520 REZH

Scale: 1:50

Author: 599

Check: 001

Design: 009

Rev: PAN

Date: 01-01-2021