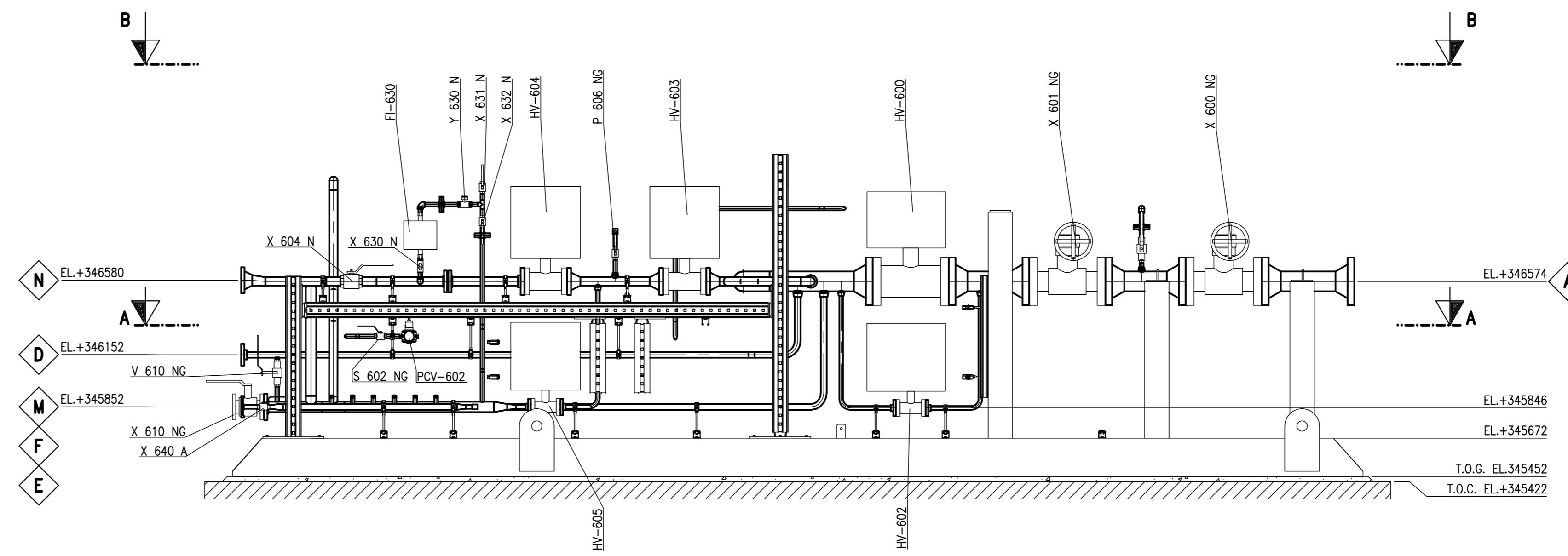
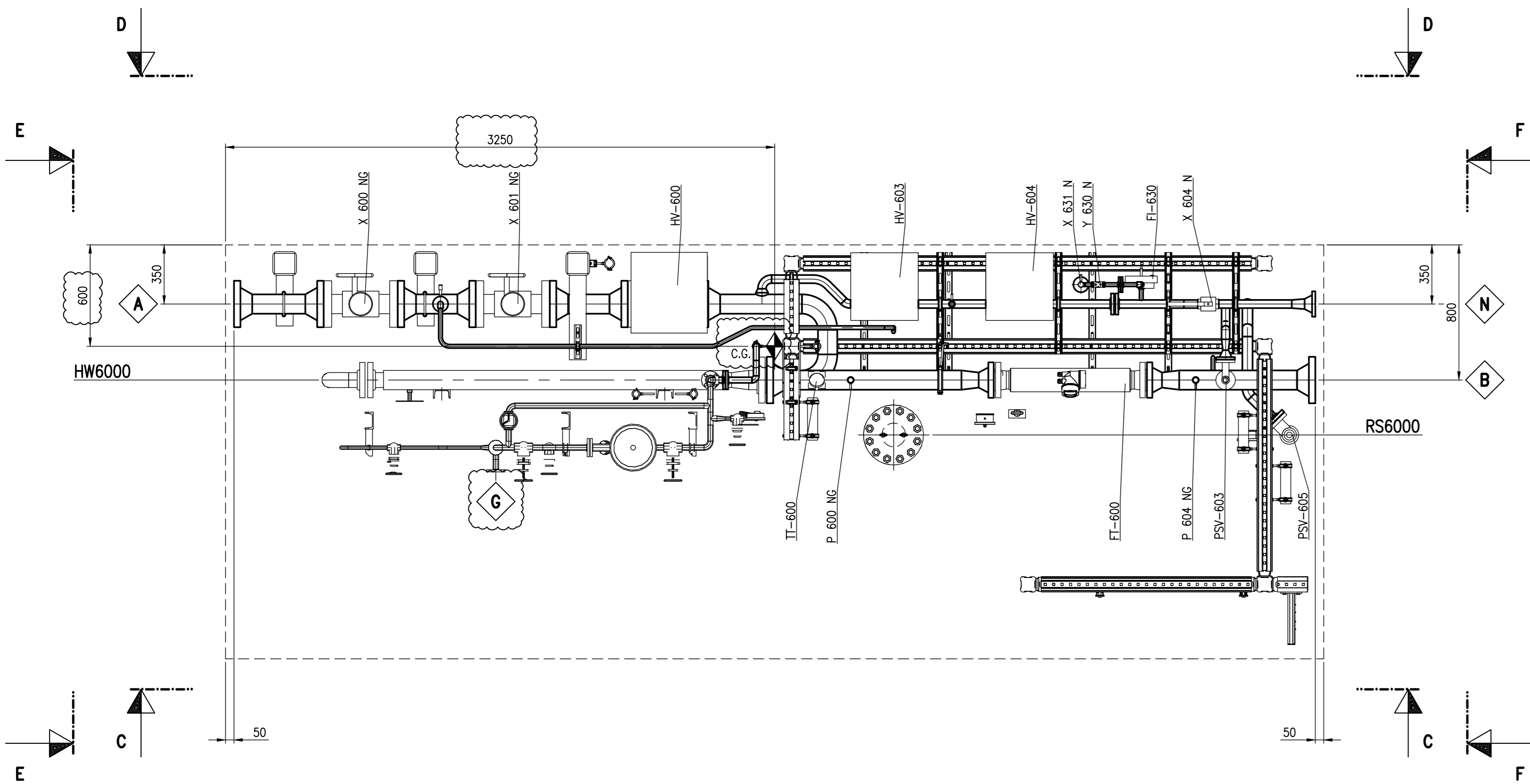


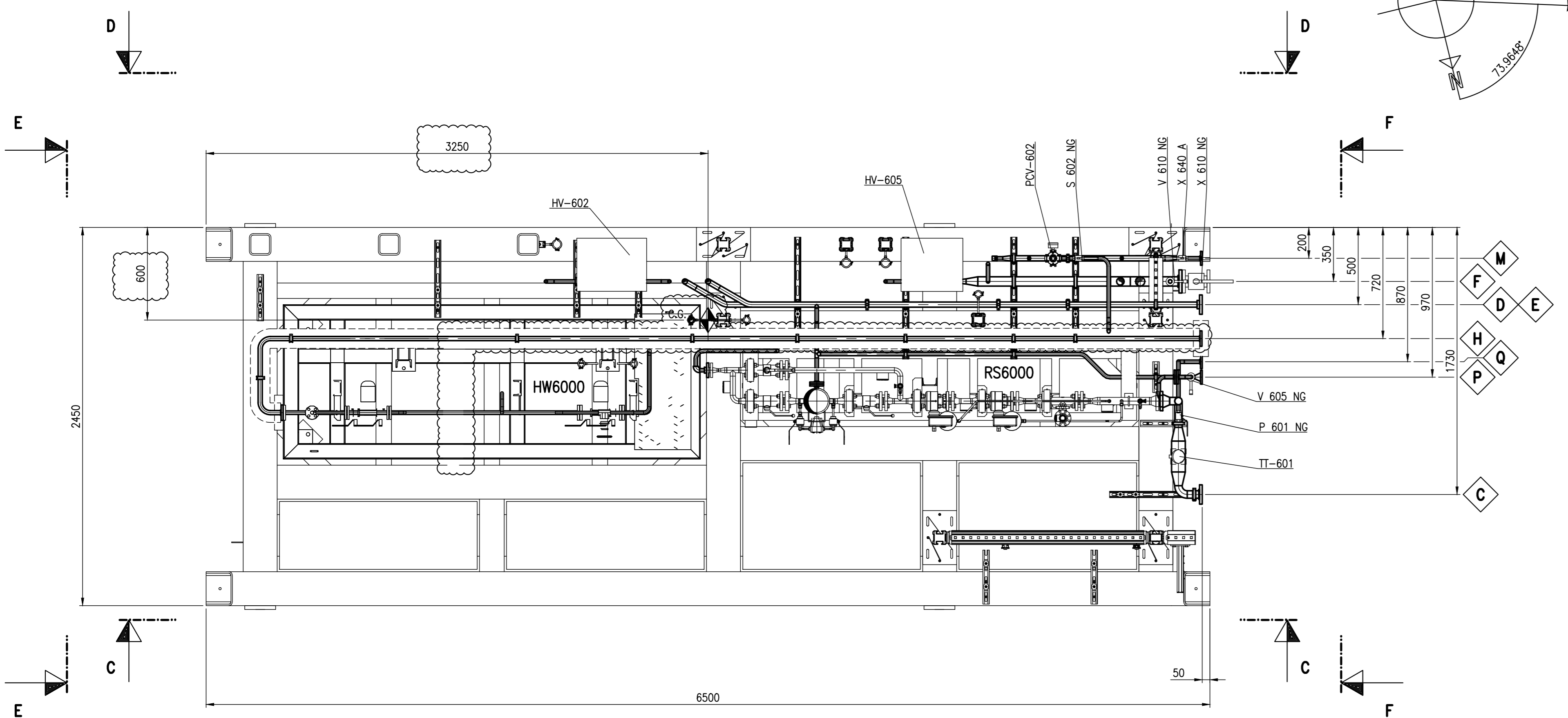
VISTA "C-C"



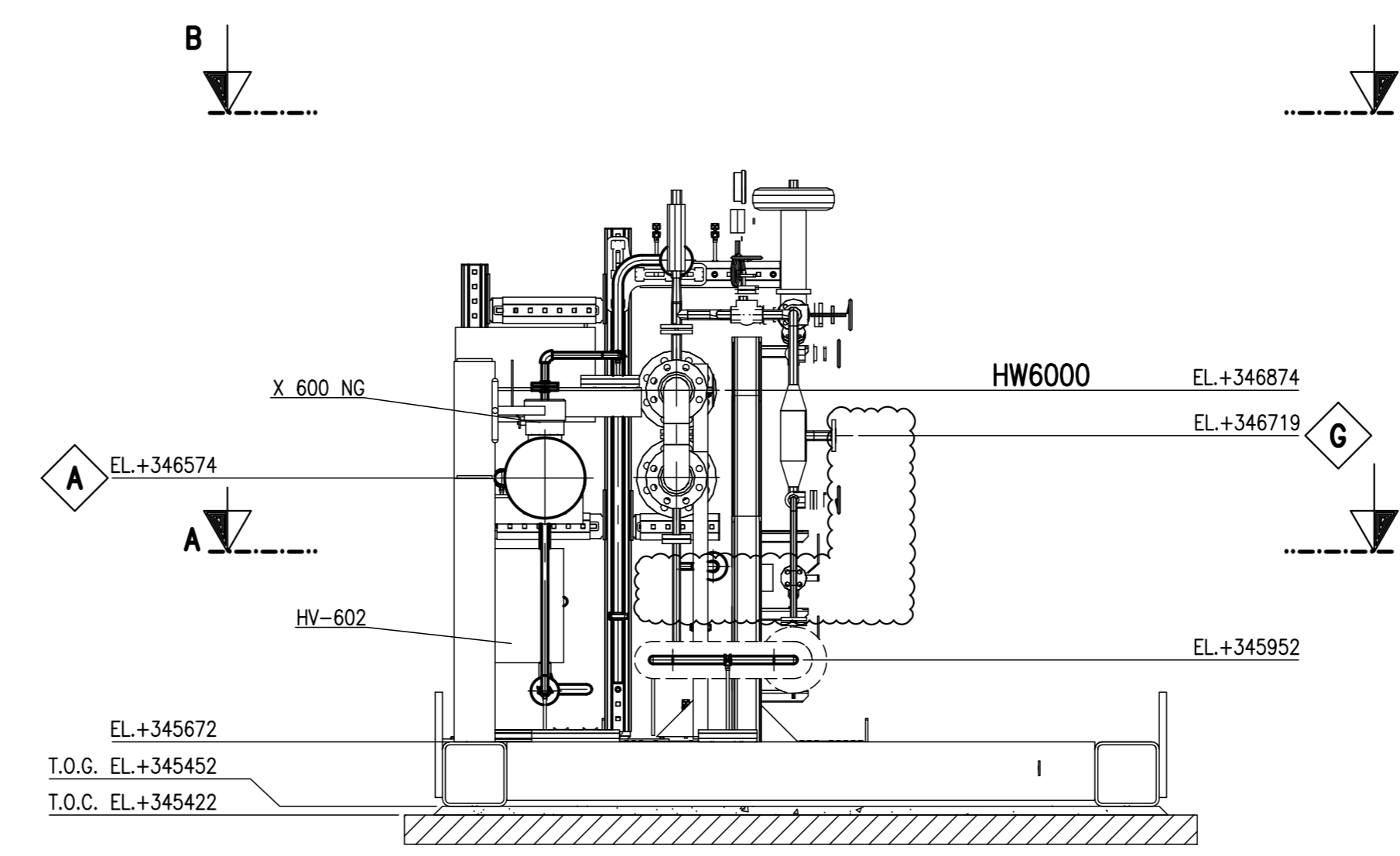
VISTA "D-D"



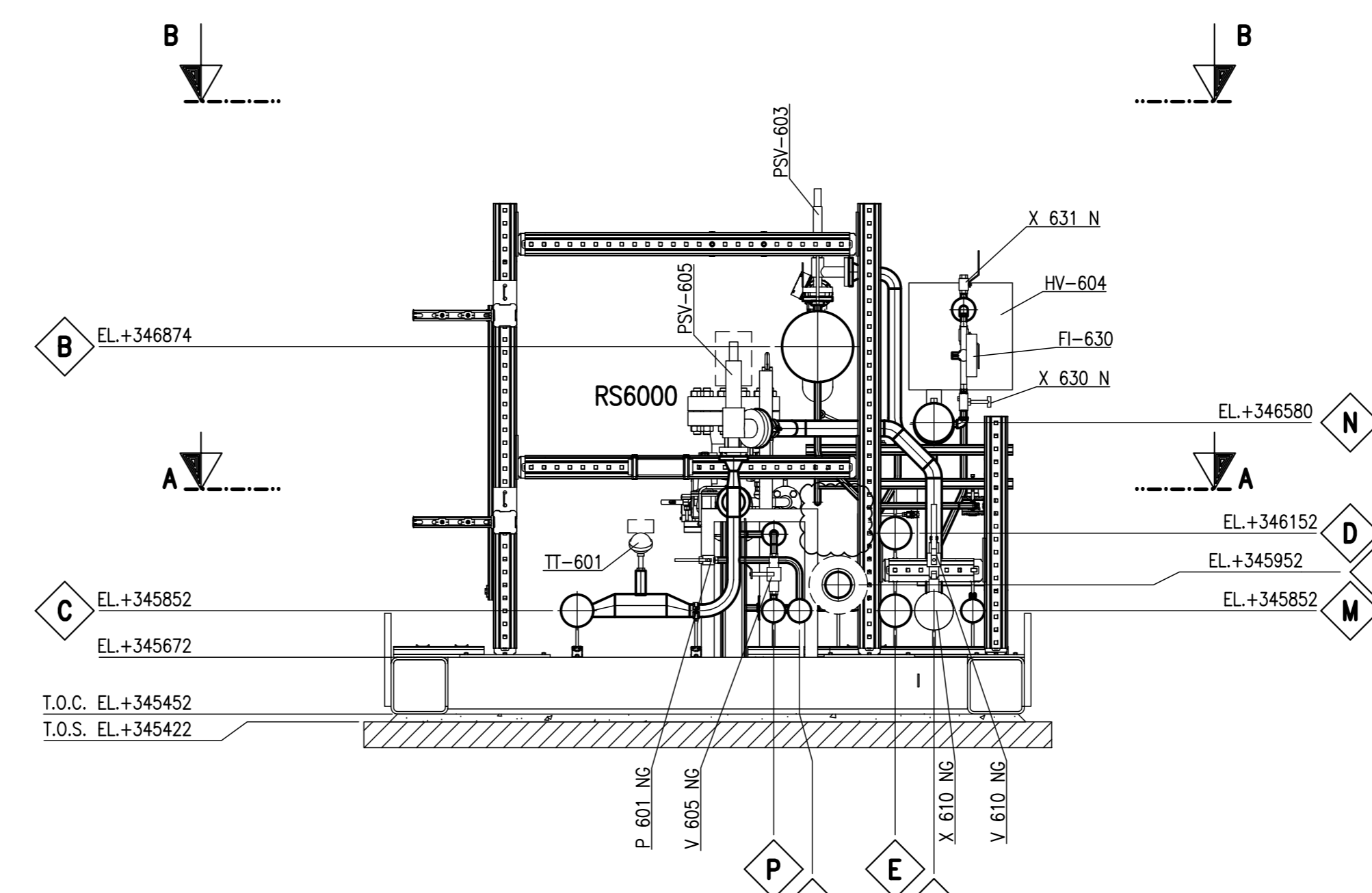
SEZIONE "B-B"



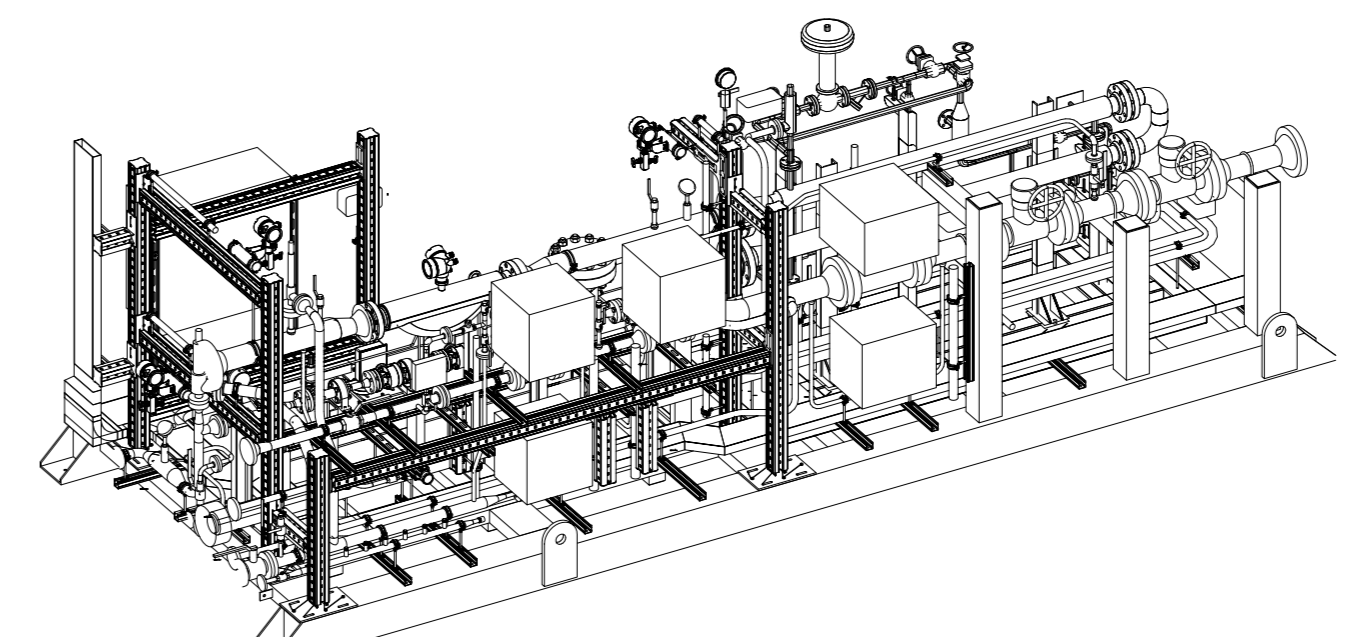
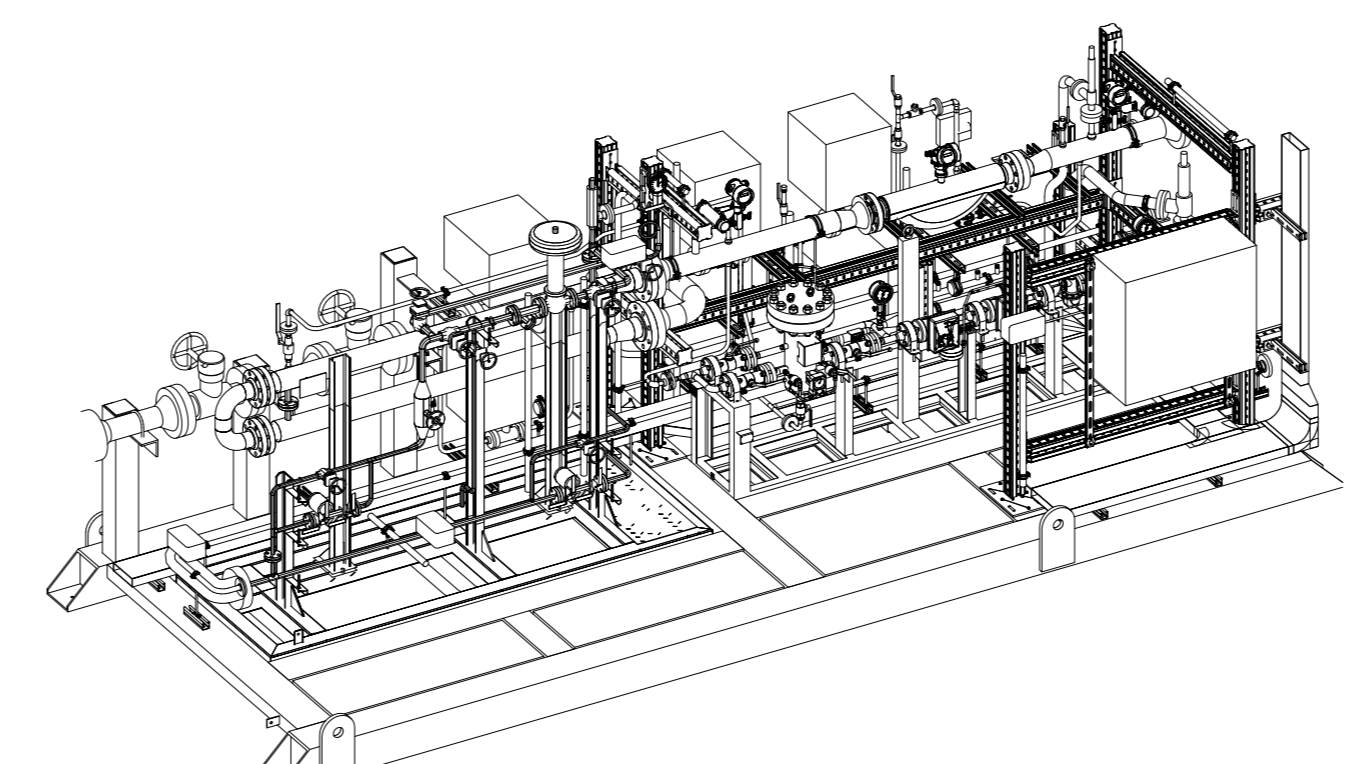
SEZIONE "A-A"



VISTA "E-E"



VISTA "F-F"



CONNECTION LIST		
DESCRIPTION	LINE	CONNECTION
INLET NATURAL GAS FROM FISCAL METERING STATION	NG-01-4"-C18-V	FLG. #4" 600# R.F.
OUTLET NG AFTER X6000 TO TPI	NG-03-4"-C18-V	FLG. #4" 600# R.F.
OUTLET NG AFTER NG REDUCTION STATION	NG-04-1 1/2"-A18-V	FLG. #1 1/2" 150# R.F.
INLET BOG FROM BOG COMPRESSOR TO NG PRE-HEATER	NG-71-1"-C18-V	FLG. #1" 600# R.F.
INLET FROM CS500 TO HW6000	NG-70-1"-C18-V	FLG. #1" 600# R.F.
OUTLET PSV COLLECTOR MDL6000	NG-02-2"-A29-N	FLG. #2" 150# R.F.
INLET LS TO NG PRE-HEATER	-	FLG. #1" 150# R.F.
OUTLET CONDENSATE FROM NG PRE-HEATER	LC-01A-3/4"-A23-I	FLG. #3/4" 150# R.F.
INLET INSTRUMENT AIR	A-04D-1 1/2"-A18-V	FLG. #1 1/2" 150# R.F.
INLET TO NG TREATMENT	N-24-1 1/2"-A18-V	FLG. #2" 150# R.F.
OUTLET VENT TO HOT FLARE	NG-04A-1 1/2"-A29-N	FLG. #1 1/2" 150# R.F.
OUTLET NG TO THERMAL OXIDIZER	NG-04-1 1/2"-A18-V	FLG. #1 1/2" 150# R.F.

NOTE

- ALL DIMENSIONS ARE IN MILLIMETERS
- T.O.G. = TOP OF GROUT - T.O.C. = TOP OF CONCRETE

REF. DOCUMENTS

- FOUNDATION LAYOUT WITH LOADS AND TRENCHES
SEE DWG. I 20833 - 422REZH030001001PLY001

Rev. No.	01	02	03	04	05	06	07	08	09	10	11	12	13	14	15	16
Rev. Description																
Project No.	DG-001115															
Client	bioplusLNG															
Contract No.	520 REZH 598 004 008 PAN 001 01-0B															
Scale	1:20															
Author	[Name]															
Check	[Name]															
Design	[Name]															
Drawn	[Name]															
Reviewed	[Name]															
Approved	[Name]															
Date	[Date]															