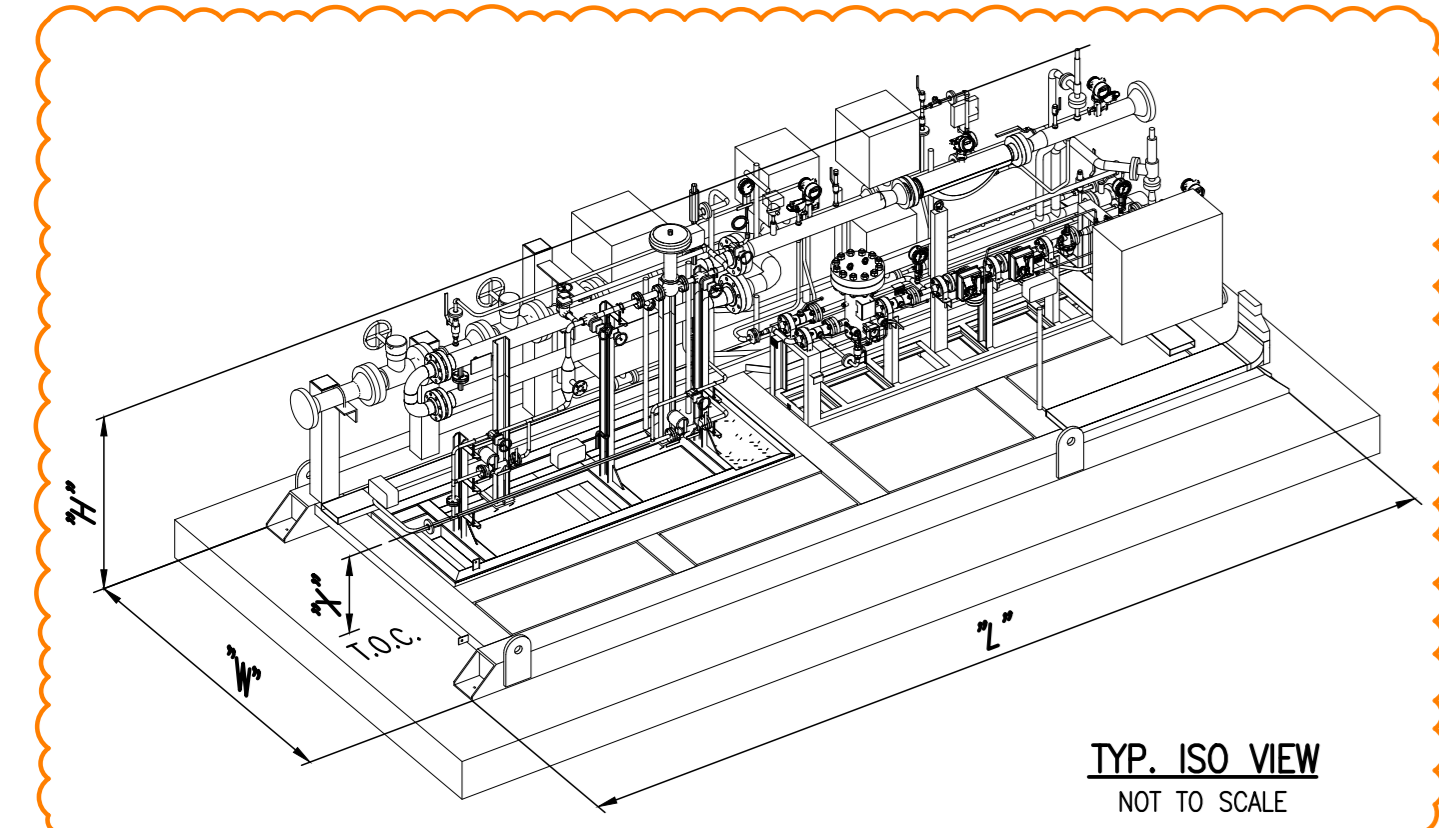
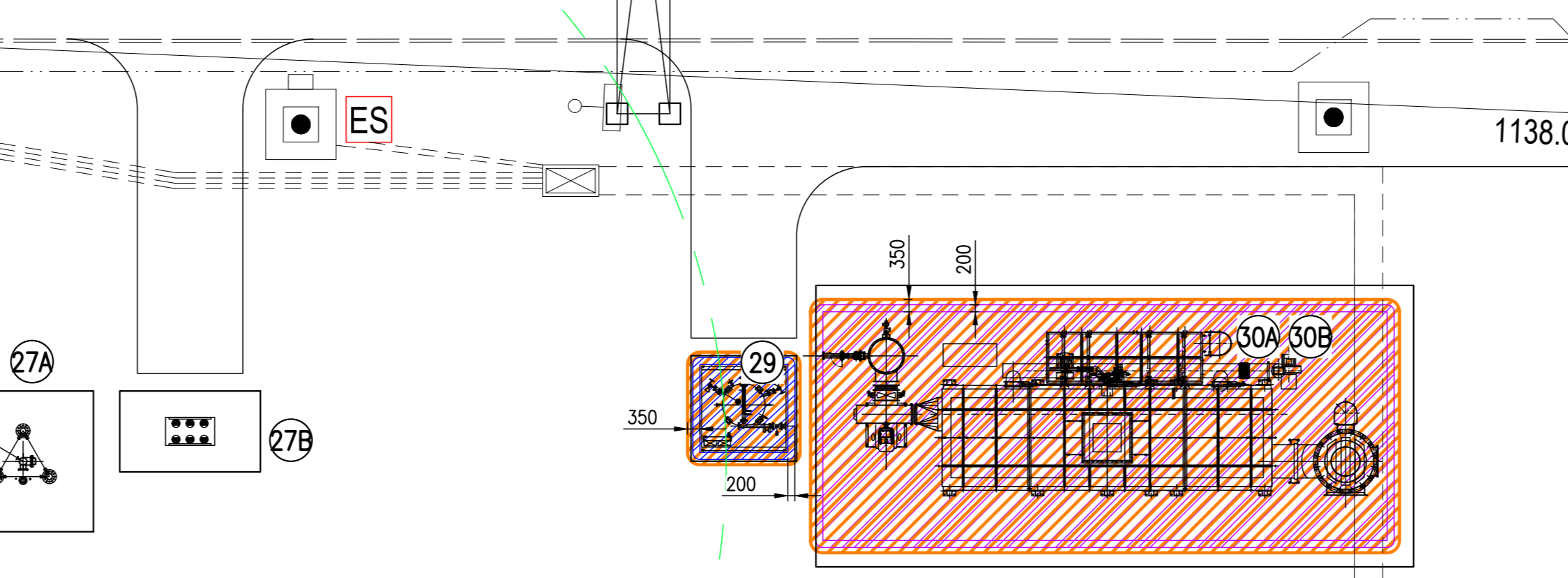
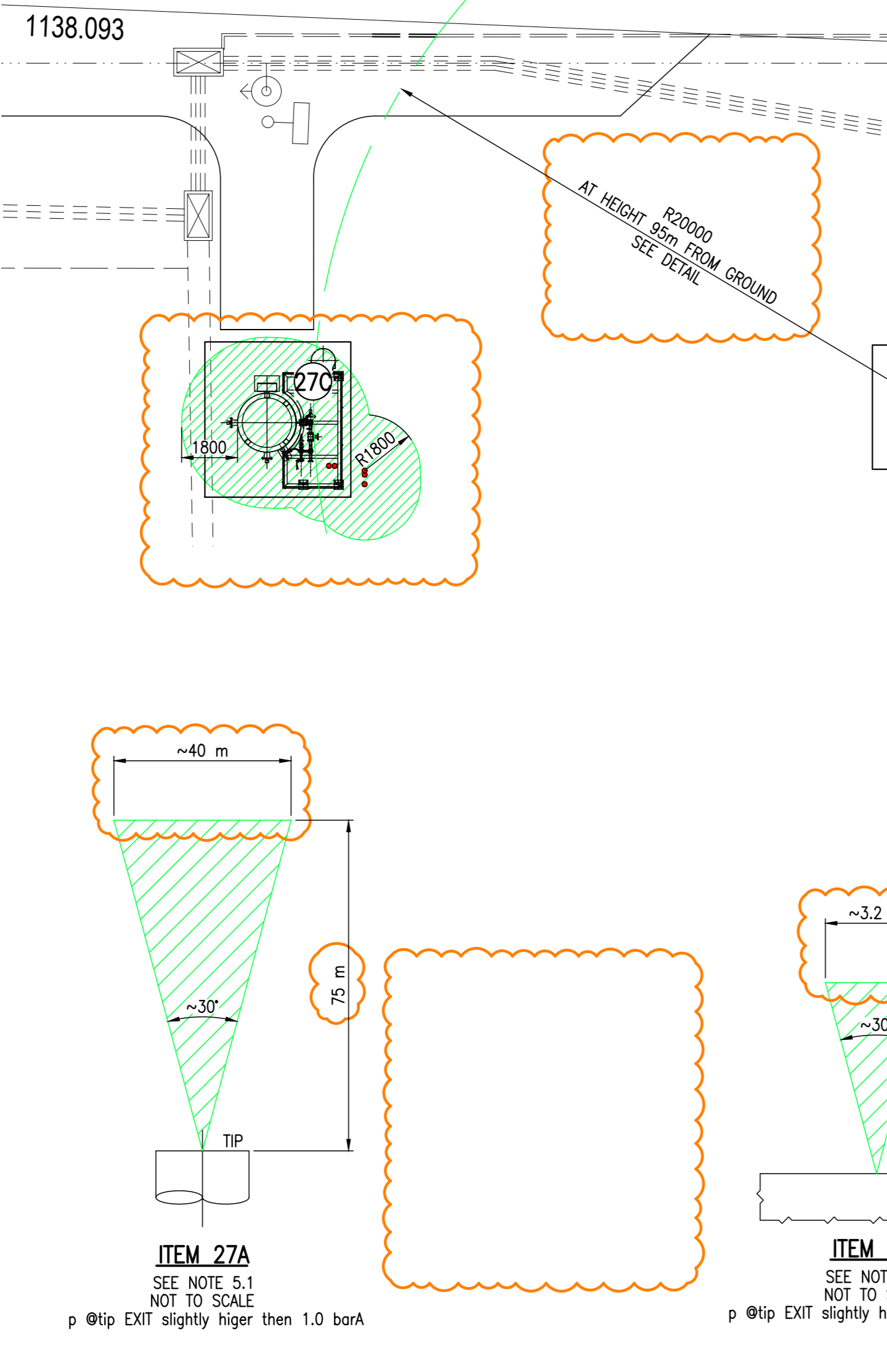


ITEMS LIST		
POS.	DESCRIPTION	ITEM
1	FISCAL METERING STATION (EXCLUDED FROM SCOPE OF SUPPLY)	-
2A	CO ₂ ABSORPTION UNIT - SKID	AU1000
2B	CO ₂ ABSORPTION UNIT - SKID FLASH	AU1000
2C	CO ₂ ABSORPTION UNIT - TOWER	AU1000
3A	STRIPPING UNIT - SKID	SU2000
3B	STRIPPING UNIT - TOWER	SU2000
4	SOLVENT ADDITION AND REMOVAL UNIT	SRU3000
5A	NG PRECOOLING AND DRYING UNIT - SKID	DU4000
5B	NG PRECOOLING AND DRYING UNIT - DRYER	DU4000
6	NG REGENERATION MODULE NG REGENERATION COOLER NG CONDENSATE SEPARATOR NG REGENERATION HEATER	MDL5000 HW5000 ST5000 EW5000
7	NG REGENERATION COMPRESSOR	C5500
8	FEED GAS MODULE NG PRE-HEATER NG REDUCTION STATION	MDL6000 HW6000 RS6000
9A	COLD-BOX PRIMARY HEAT EXCHANGER LNG SUBCOOLER HEAT EXCHANGER LNG SUBCOOLER LNG SEPARATOR	CB7000 HK7000 HK7001 SC7001 S7003
9B	LIN DRAIN VAPORIZER	E7001
9C	LNG DRAIN VAPORIZER	E7002
10	N ₂ RECYCLE COMPRESSOR	C7400
11	N ₂ RECYCLE COMPRESSOR INTERCOOLER / AFTERCOOLER	E7400/7401
12	RECYCLE/BOOSTER MODULE N ₂ RECYCLE COMPRESSOR POST-AFTERCOOLER COLD BOOSTER POST-AFTERCOOLER	MDL7500 HW7400 HW7601
13	WARM AND COLD BOOSTER/TURBINE	T/7500/7600
14	WARM AND COLD BOOSTER AFTERCOOLER	E7500/7600
15	TURBINE DUCT	TD7500
16	INSTRUMENT AIR PACKAGE	IA7700
17	COOLING WATER MODULE COOLING WATER PUMPS COOLING WATER EXPANSION DRUMS	MDL8000 PB800A/B VB8000/8001
18A/B/C	COOLING WATER AIR COOLER	EB8000/8001/8002
19	DEMI WATER PACKAGE	DW8000
20	HC HEATER MODULE HC HEATER	MDL9000 EW9000
21	BOG COMPRESSOR	C9100
22	CHILLED WATER MODULE CHILLED WATER EXPANSION DRUM CHILLED WATER PUMPS	MDL11000 V11000 P11000A/B
23	CHILLER	FRU11000
24	STEAM CONDENSATE MODULE ATMOSPHERIC STEAM CONDENSER CONDENSATE TRANSFER PUMP	MDL15000 HW15000 P15000
25A	WATER SERVICE MODULE	V15100
25B	PUMPS MODULE	P15100A/B
26A	STEAM BOILER	SG15200
26B	STEAM BOILER - CHIMNEY	-
27A	VENT	FL16000
27B	SNUFFING SYSTEM	FL16001
27C	HOT FLARE WITH IGNITION SYSTEM	FL16002
28	LNG DRAIN KO DRUM	V16000
29	HEAVY HC KO DRUM	V16200
30A	THERMAL OXIDIZER	IN16200
30B	THERMAL OXIDIZER - CHIMNEY	-
31A/B	LIN STORAGE TANKS (EXCLUDED FROM SCOPE OF SUPPLY)	VT17000/17001
32A/B	LIN BUILD-UP VAPORIZERS (EXCLUDED FROM SCOPE OF SUPPLY)	E17000/17001
33	NITROGEN BACK-UP MODULE NITROGEN BACK-UP TRIM HEATER	MDL17000 HT17000
34A/B	LIN BACK-UP VAPORIZERS	E17002A/B
35	LNG TANK MODULE	MDL19000
36A/B	LNG STORAGE TANKS	VT19000/19001
37	LNG BUILD-UP VAPORIZER	E19000
38A/B	LNG TRUCK LOADING PUMPS	P19000/19001
39A/B	TRUCK LOADING BAY	TL19000/19001
47A/B	TRUCK SCALE	-
40	MV DISTRIBUTION CONTAINER	-
41	TRAFU CONTAINER	-
42	LV DISTRIBUTION CONTAINER	-
43	LCR CONTAINER	-
44	-	-
45	-	-
46A	DIESEL EMERGENCY GENERATOR	-
46B	DIESEL EMERGENCY GENERATOR - CHIMNEY	-
48	ANALYSIS CABIN	-
49	CONTAINER FOR DRIVER REST (EXCLUDED FROM SCOPE OF SUPPLY)	-



- NOTES**
- ESD DIESEL GENERATOR AND TANK DON'T CLASSIFY AREA ACCORDING TO ATEX DIRECTIVE
 - ZONE 2 NE AND ZONE 0 NE ARE SAFE AREA
 - FISCAL METERING STATION (ITEM 1) ATEX DIRECTIVE STUDY IS EXCLUDED FROM SIAD M.I SCOPE OF SUPPLY
 - ATEX AREA FOR REVERSED CONE PRESENT:
 1. COLD FLARE (ITEM 27A) CLASSIFIED AREA IS A REVERSED CONE OF 75m HEIGHT WITH ORIGIN FROM TIP; ATEX DIRECTIVE AREA IS TYPE "ZONE 2-IA-T1"
 2. STEAM BOILER (ITEM 26A) CLASSIFIED AREA IS A REVERSED CONE OF 6m HEIGHT WITH ORIGIN FROM TIP; ATEX DIRECTIVE AREA IS TYPE "ZONE 2-IB-T1"
 3. NG REGENERATION MODULE (ITEM 6) IS CLASSIFIED "ZONE 2 NE-IA-T1"; HOWEVER FOR HOMOGENEITY WITH OTHER EQUIPMENTS IT WILL BE CONSIDERED "ZONE 2-IA-T1"
 4. FOR ATEX DIRECTIVE CALCULATION SEE DOCUMENT 520RZHZH690001001UBA00101
 5. ACCORDING TO TRGS10, THE ENTIRE AREA OF STOCK OF THE GAS CYLINDERS IS CLASSIFIED SINCE THE SURFACE IS < 20 m²
 6. ALL DIMENSIONS ARE IN MILLIMETERS IF NOT OTHERWISE INDICATED
 7. ● INDICATES A FLANGED CONNECTION ON FIELD AREA THAT CREATE AN ATEX AREA

HAZARDOUS AREA			
COLOR	ZONE TYPE	EQUIPMENT GROUP	TEMPERATURE CLASS
[Red]	ZONE 0 NE (NON HAZARDOUS AREA)	IIA	T1
[Orange]	ZONE 1	IIA	T1
[Yellow]	ZONE 2 NE (NON HAZARDOUS AREA)	IIA	T1
[Green]	ZONE 2 NE (NON HAZARDOUS AREA)	IIA	T3
[Blue]	ZONE 2 NE (NON HAZARDOUS AREA)	IIB	T1
[Purple]	ZONE 2 NE (NON HAZARDOUS AREA)	IIA	T1
[Pink]	ZONE 2	IIC	T1



HAZARDOUS AREA						
ITEM	CENTER OF DANGER'S DIMENSIONS LxWxH (m)	ELEVATION FROM T.O.C. TO PIPELINE X (m)	EXTENSION OF HAZARDOUS AREA (m)	ZONE TYPE	EQUIPMENT GROUP	TEMPERATURE CLASS
2A	area: 6.5x2.2x4.5	0.40	1	2	IIA	T1
2C	diam.: 1.6x1.3.5	2.88	1	2	IIA	T1
5A	9.5x2.2x2.6	0.43	1	2	IIA	T1
5B	diam.: 1.2x5	0.53	1	2	IIA	T1
6	7x2.7x2.3	0.50	0.3	2 NE	IIA	T1
7	6.5x3x3.2	0.43	1	2	IIA	T1
8	6.5x2.5x2	0.43	1	2	IIA	T1
9A	3x3x17.5	0.25	5.5	2	IIA	T1
20	3x5x2.3	0.63	0.1	2 NE	IIB	T1
21	6.5x3x3.2	0.56	0.2	2 NE	IIB	T1
26A	2.5x12.2x2.9	0.29	0.2	2 NE	IIA	T1
27A	SEE DETAIL	3.5	SEE DETAIL	2	IIA	T1
27C	diam.: 1.9x7	20.0	SEE DETAIL	2	IIA	T1
28	diam.: 1.2x2.5	0.43	1.8	2	IIA	T1
28	diam.: 1.2x2.5	1.8	3	2	IIA	T1

29	2.5x2.5x3	1.7	0.2	2 NE	IIA	T1
30A/B	15x6.5x8	1.5	0.35	2 NE	IIA	T3
35	1.4x4x1.8	0.43	0.2	2 NE	IIB	T1
36A/B	diam.: 3.6x2.5	0.13	0.35	2 NE	IIA	T3
37	2x1.5x1.5	0.36	0.1	2 NE	IIA	T1
38A/B	3x2x2	0.69	3	2	IIA	T1
39A/B	1.5x6.5x2	0.44	3.5	2	IIA	T1
47A/B	area diam.: ~11.5x2	0.00	0.1	2 NE	IIA	T1
48	2.5x7x2.5	0.20	3	2	IIA	T1
II, CYLINDER	~0.25x2	0.00	0.5	0 NE	IIA	T1
DI4 CYLINDER	~0.25x2	0.00	1	2	IIC	T1
DI4 CYLINDER	~0.25x2	0.00	1.1	2	IIA	T1

GENERAL NOTES

PLANT LAYOUT REV. 05 IS REFERRED TO OGE LAYOUT 900RZHZH6900RLO01000010000040F

Rev.	Date	Description	Author	Checker	Approver
01	10.03.2024	ISSUE	ANTONELLI	ANTONELLI	ANTONELLI
02	07.11.2023	REVISION WHERE INDICATED	ANTONELLI	ANTONELLI	ANTONELLI
03	03.03.2023	REVISION WHERE INDICATED	ANTONELLI	ANTONELLI	ANTONELLI
04	31.05.2023	REVISION WHERE INDICATED	ANTONELLI	ANTONELLI	ANTONELLI
05	03.03.2023	ISSUE	ANTONELLI	ANTONELLI	ANTONELLI

Project No.: 520RZHZH6900RLO01000010000040F

Plant Name: ANLAGENLAYOUT MIT ATEX KLASIFIZIERTEN ZONEN

Scale: 1:150

Author: 520 REZH

Checker: 690 010

Approver: 000 PEX 001 01-0E