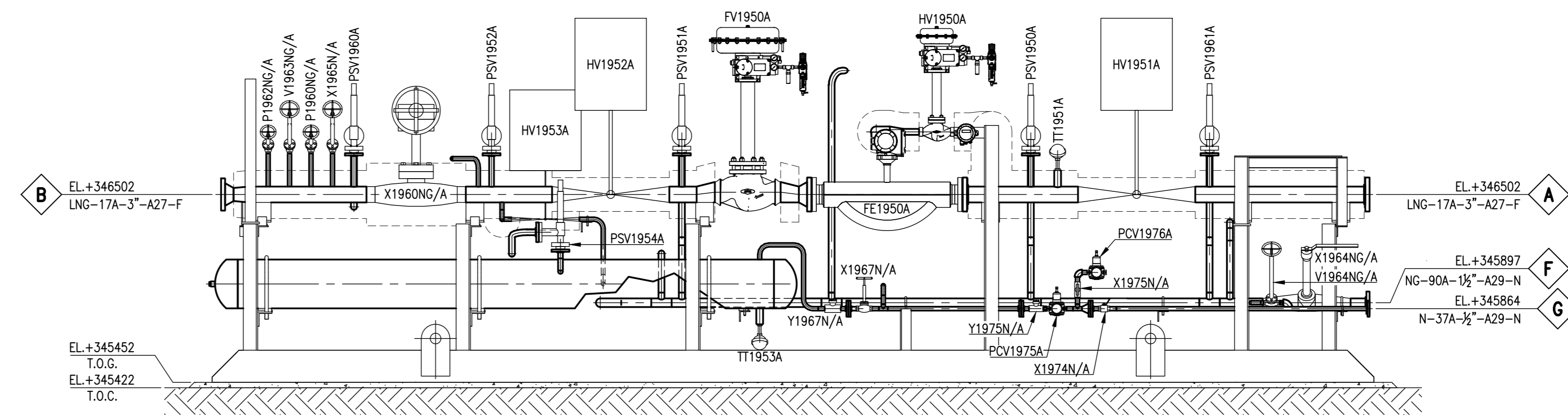
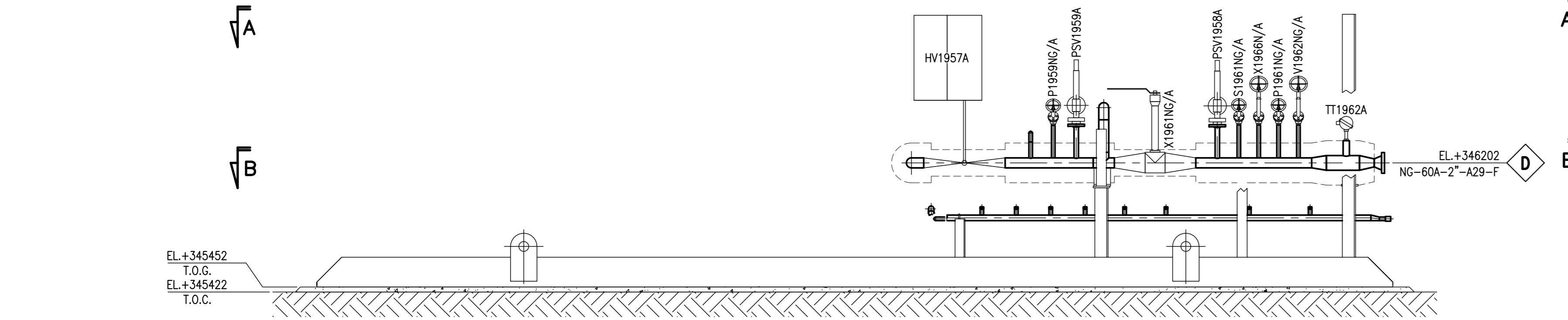


SECTION D-D

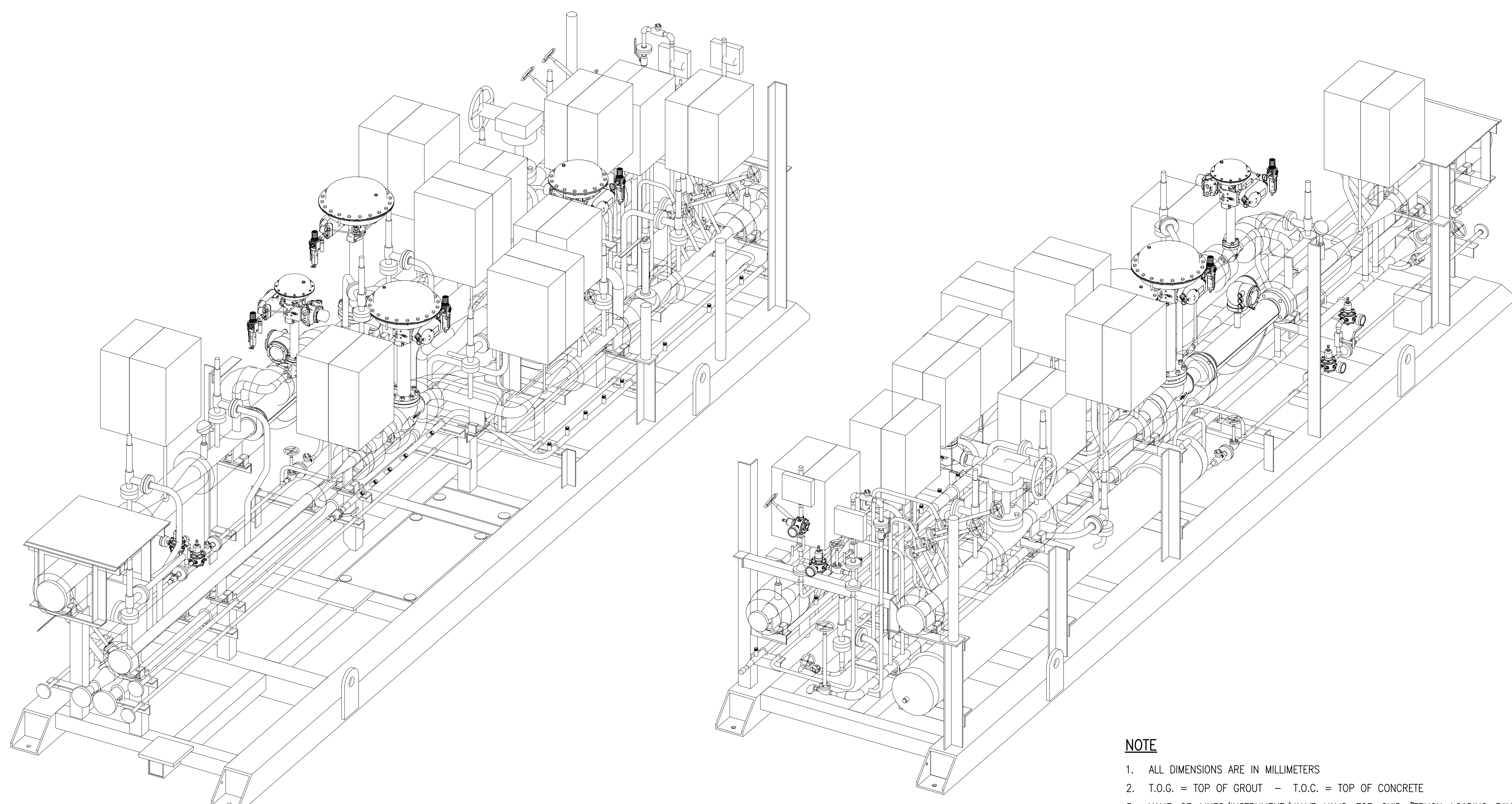


SECTION F-F

CONNECTION LIST			
	DESCRIPTION	LINE NUMBER	CONNECTION
A	LNG FROM LNG TRUCK LOADING PUMP	LNG-17A-3"-A27-F	FLG. #3" 150# R.F.
B	LNG TO TRUCK HOOSE	LNG-17A-3"-A27-F	FLG. #2" 150# R.F.
C	BOG TO LNG STORAGE TANK	NG-60A-2"-A29-F	FLG. #2" 150# R.F.
D	BOG FROM TRUCK HOOSE	NG-60A-2"-A29-F	FLG. #1 1/2" 150# R.F.
E	BOG TO HC HEATER	NG-63A-2"-A29-N	FLG. #2" 150# R.F.
F	BOG TO COLD VENT	NG-90A-1 1/2"-A29-N	FLG. #1 1/2" 150# R.F.
G	N2 FROM NITROGEN BACK-UP MODULE	N-37A-3/4"-A29-N	FLG. #2" 150# R.F.
H	INSTRUMENT AIR	I_A_MNFOLD	FLG. #2" 150# R.F.
L	N2 FROM PURGE HEADER	N-25-3/8"-A18-V	FLG. #2" 150# R.F.
M	NITROGEN PURGE TO LNG/BOG HOUSES	F1977A	Ø4" THD. NPT/F

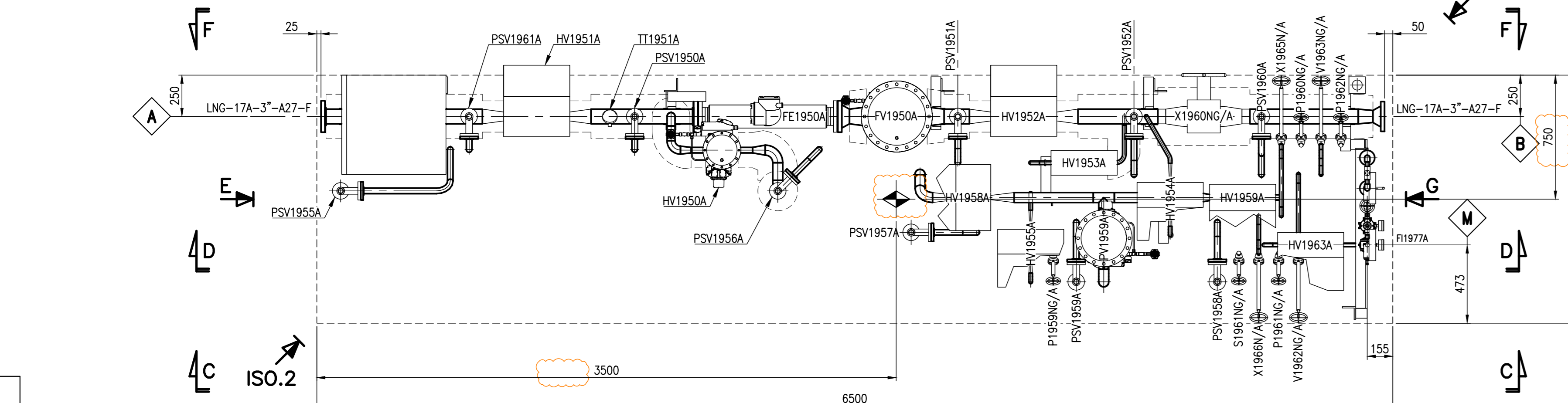


SECTION C-C

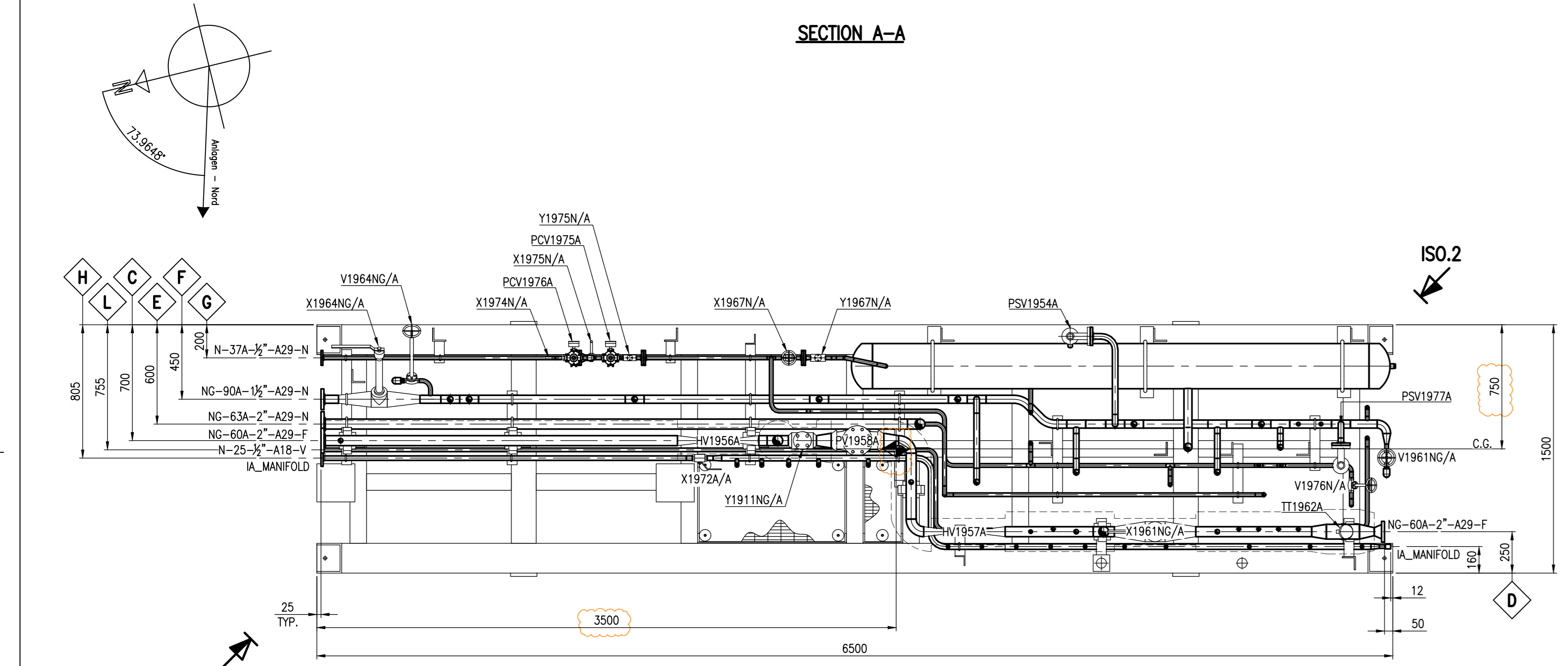


ISO.1

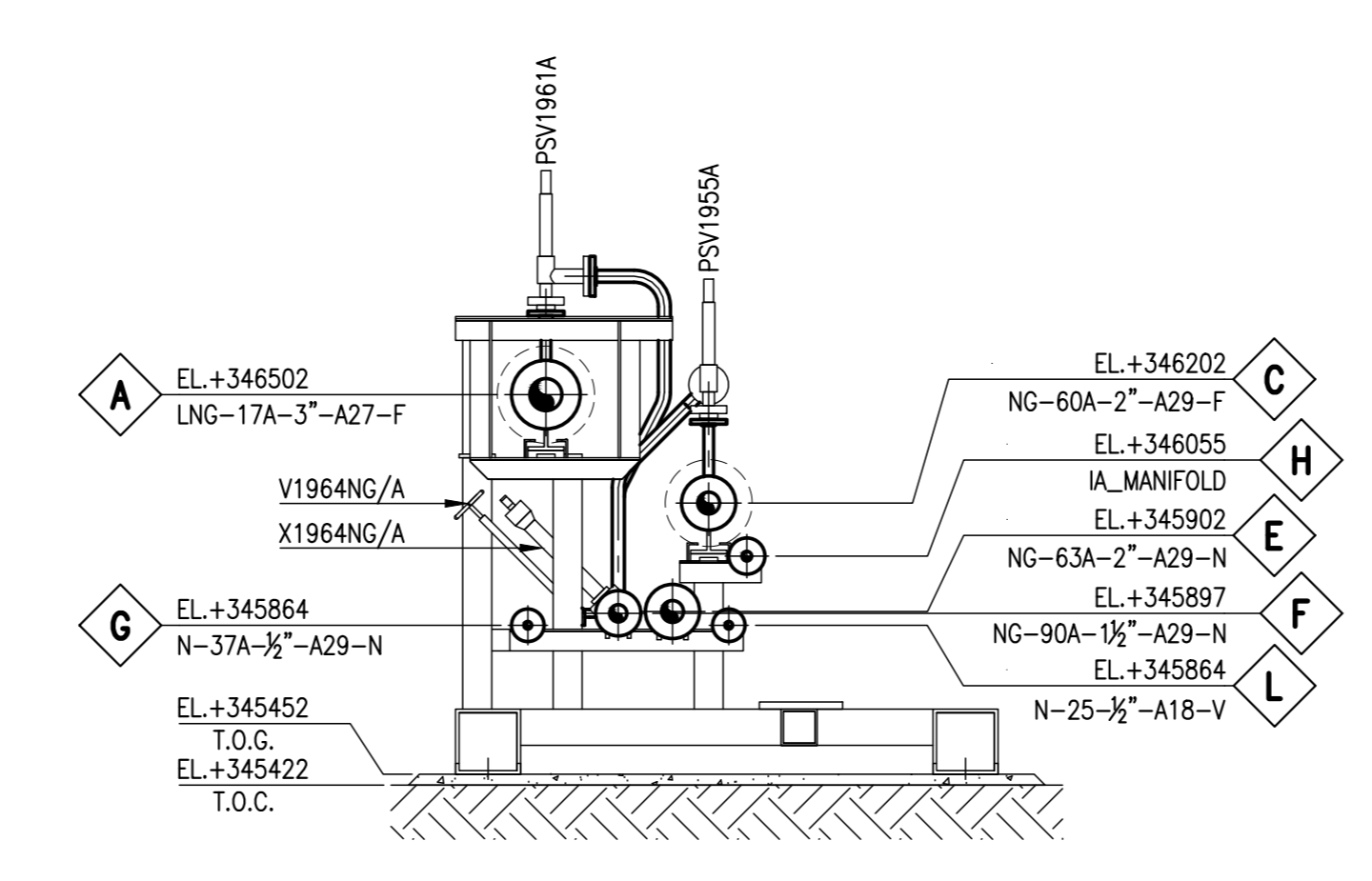
ISO.2



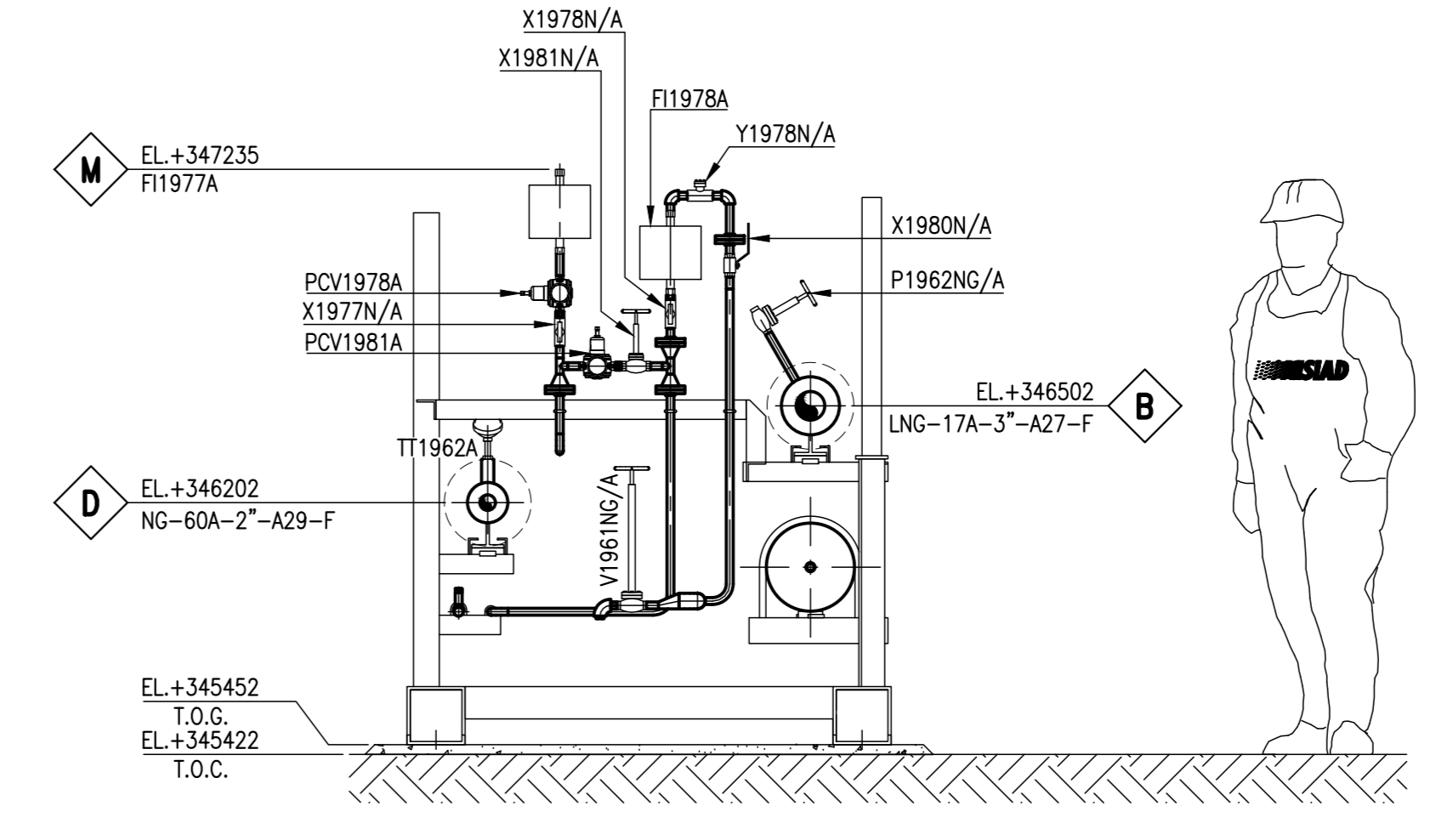
SECTION A-A



SECTION B-B



VIEW FROM 'E'



VIEW FROM 'G'

NOTE

- 1. ALL DIMENSIONS ARE IN MILLIMETERS
- 2. T.O.G. = TOP OF GROUT - T.O.C. = TOP OF CONCRETE
- 3. NAME OF LINES/INSTRUMENT/VALVE VALID FOR SKID "TRUCK LOADING BAY MODULE-ITEM TL19000".
REPLACE "A" WITH "B" FOR SKID "TRUCK LOADING BAY MODULE-ITEM TL19001".
EXAMPLE LINE:
• LNG-17A-3"-A27-F (TL19000)
• LNG-17B-3"-A27-F (TL19001)
EXAMPLE VALVE:
• PSV1950A (TL19000)
• PSV1950B (TL19001)
EXAMPLE INSTRUMENT:
• TI1951A (TL19000)
• TI1951B (TL19001)
- 6. BEFORE EXECUTE THE FINAL TEST, REINSTALL THE VALVES OPERATORS AND ALL THE PARTS REMOVED FOR SHIPPING
ITEMS : HV1951A ; HV1952A ; X1960NG/A

REF. DOCUMENTS

- FOUNDATION LAYOUT WITH LOADS AND TRENCHES
SEE DWG. I 20833 - 422REZH030001001PLY001

Project: No.		Standort: Programme	
DG-001115		LNG LIQUEFACTION PLANT	
Zustimmung:			
Datum	Name	Sigil	Stempel
01.08.2023	SPITTM	[Signature]	[Stamp]
Korrigiert:		Korrigiert:	
Datum	Name	Sigil	Stempel
01.08.2023	ANTONELLI	[Signature]	[Stamp]
Skizze:			
Datum	Name	Sigil	Stempel
01.08.2023	ANTONELLI	[Signature]	[Stamp]
Projekt: No.			
Standort: Programme			
DG-001115		LNG LIQUEFACTION PLANT	
Zustimmung:			
Datum	Name	Sigil	Stempel
01.08.2023	SPITTM	[Signature]	[Stamp]
Korrigiert:		Korrigiert:	
Datum	Name	Sigil	Stempel
01.08.2023	ANTONELLI	[Signature]	[Stamp]
Skizze:			
Datum	Name	Sigil	Stempel
01.08.2023	ANTONELLI	[Signature]	[Stamp]
Projektnummer: DCE		Mittelwertbezeichnung: DCE	
Urspr.: I20841 Rev.05		Ers.f.:	

bioplusLNG
OGE