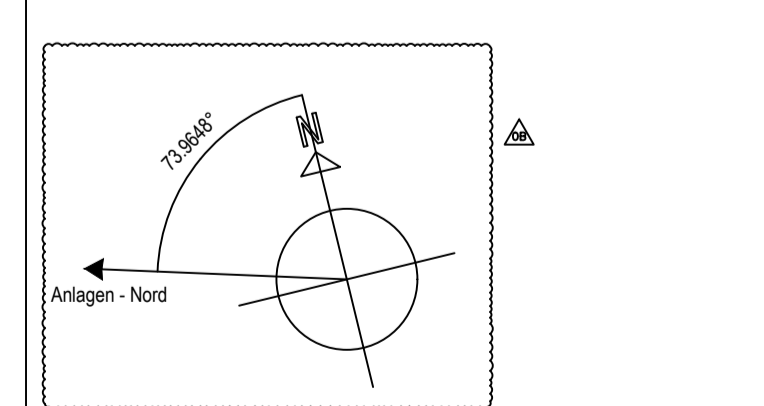


MANUAL PITCH FAN
FAN Ø4572 mm
MOTORS 37 Kw
6 POLES
400 V. 50Hz 3 PHASE
TEFC - IP 55
CON PTC

MOTOR CABLE TRAYS
SUGGESTED PATH

TIE-IN POINT
FOR MOTOR CABLES



POS.	Qty	ND	#	TYPE	SERVICE
N1-2	2	12"	300	ANSI B16.5 - WN-RF	SMOOTH FINISH 125-250 AARH INTERCOOLER INLET
N3-4	2	12"	300	ANSI B16.5 - WN-RF	SMOOTH FINISH 125-250 AARH INTERCOOLER OUTLET
V1	1	1/2"	6000	ANSI B16.11 HALF COUPLING (NPT) + PLUG	INTERCOOLER VENT
D1	1	1/2"	6000	ANSI B16.11 HALF COUPLING (NPT) + PLUG	INTERCOOLER DRAIN
N5-6	2	10"	300	ANSI B16.5 - WN-RF	SMOOTH FINISH 125-250 AARH AFTERCOOLER INLET
N7-8	2	10"	300	ANSI B16.5 - WN-RF	SMOOTH FINISH 125-250 AARH AFTERCOOLER OUTLET
V2	1	1/2"	6000	ANSI B16.11 HALF COUPLING (NPT) + PLUG	AFTERCOOLER VENT
D2	1	1/2"	6000	ANSI B16.11 HALF COUPLING (NPT) + PLUG	AFTERCOOLER DRAIN

CONNECTION LIST

NOTES

1) ALL DIMENSIONS ARE IN mm

2) FLANGES HOLES STRAGGERED RESPECT TO THE MAIN AXES OF THE EQUIPMENT

3) FOR DETAILS ABOUT PAINTING CYCLE SEE PAINTING SPECIFICATION N.PS-230372-01

MOMENTS (Nm)	FORCES (N)					
DN	Mx	My	Mz	Fx	Fy	Fz
12"	5080	6100	3050	8360	13340	13340
10"	4070	6100	2550	6670	13340	10010

DESIGN DATA	E7400	E7401
ITEM	NITROGEN RECYCLE COMPRESSOR INTERCOOLER	NITROGEN RECYCLE COMPRESSOR AFTERCOOLER
SERVICE		
DESIGN CODE	ASME VIII Div.1 Ed.2021 - AD 2000	
TEST	2014/68/EU "PED"	
HANDLED FLUID	NITROGEN	
DESIGN PRESS.	Bar g	18
HYDROSTATIC TEST PRESS.	Bar g	25.74
DESIGN TEMP.	°C	-25/+130
OPERATING TEMP. IN/OUT	°C	106.0/40.0
CORROSION ALLOWANCE	mm	1
AIRCOOLER NET WEIGHT	Kg	32.500
AIRCOOLER WEIGHT FULL OF WATER	Kg	36.180
AIRCOOLER WEIGHT IN OPERATING	Kg	32.570
QUANTITY	N.	1

REV.	DATE	DESCRIPTION	ISSUED	CHECKED	APPROV.
OB	17/07/23	ISSUED FOR COMMENTS	PEZZOLI	CERONE	CERONE
OA	09/06/23	ISSUED FOR APPROVAL	PEZZOLI	CERONE	CERONE

OBJECT	AIRCOOLER GENERAL ARRANGEMENT	ITEM E7400 E7401
SCALE	1:50	Dis.n° 252731/SQ230372
BIASONO		

Rev	Datum	Beschreibung	erstellt	geprüft	freigegeben	Datum	freigegeben
OB	17.07.202	ISSUE FOR COMMENTS	PEZZOLI	CERONE	CERONE		
OA	09.06.2023	ISSUE FOR APPROVAL	PEZZOLI	CERONE	CERONE		

Projekt - Nr.	DG-001115	Standort / Projektname	LNG LIQUEFACTION PLANT
Datum	09.06.2023	Name	PEZZOLI
Erst	09.06.2023	geprüft	CERONE
Freig	09.06.2023	freigegeben	CERONE
Schutzvermerk	ISO 16016 beachten	Blatt/Maßst. 1/	A1 1:50
Urspr.*/ Rev.0B		Ers.f.:	
Ers.d.:			

Zeichnungsbenennung
N2 RECYCLE COMPRESSOR INTERCOOLER AND AFTERCOOLER ASSEMBLY DRAWING WITH FOUNDATION LOADS

F-Tech Standortkurzname A-Art Anl-Nr A-Teil D-Art Lfd-Nr Blatt And
520 REZH 599 001 011 PLG002 01-0B