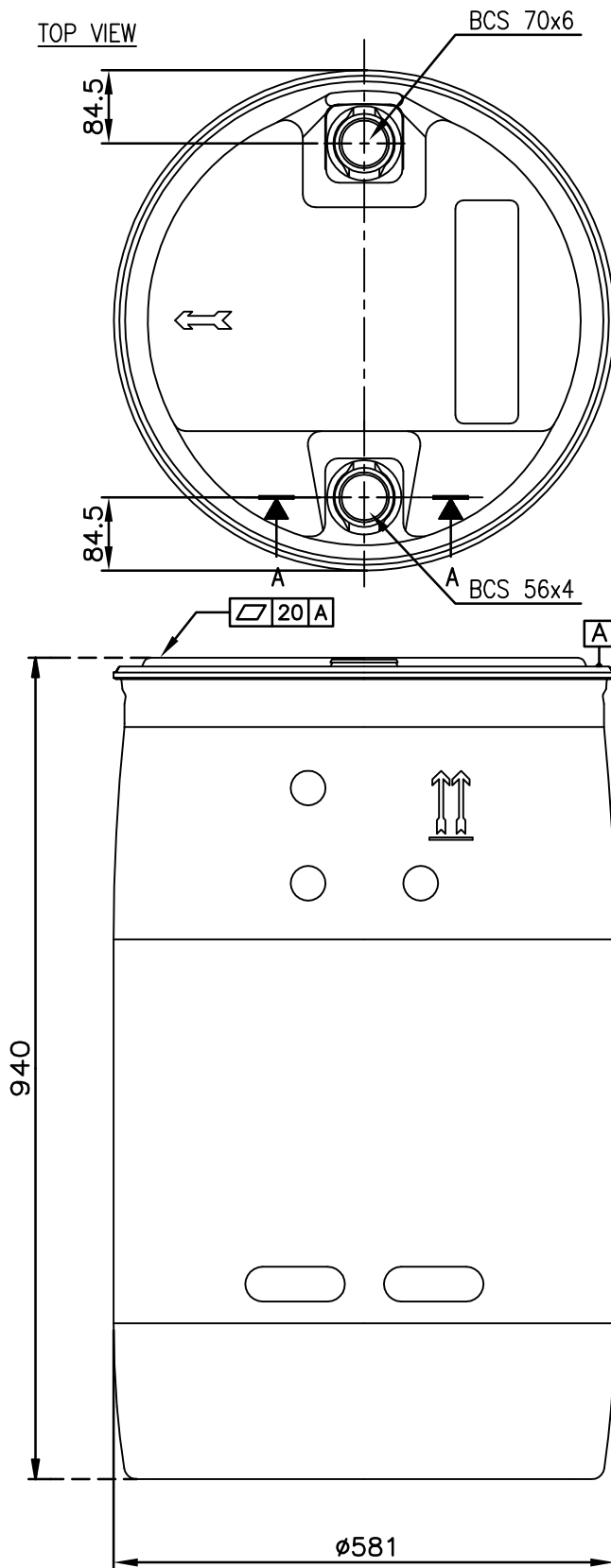
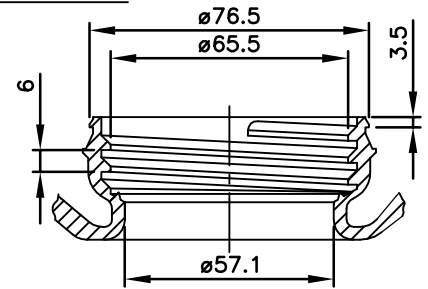


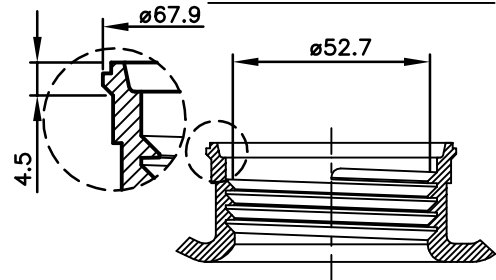
TOP VIEW



SECTION BCS 70x6



SECTION A-A BCS 56x4



All drawings and designs are property of MAUSER Benelux B.V. and may not be copied, shown or handed over to any other party without written permission. Any deviation from the drawing(s) must be agreed with MAUSER Benelux B.V. before manufacture. All rights are strictly reserved.

DRAWN : JvdB

COPY TO : --

REV. DATE : 28.07.04

SHRINK : --

DEP. : R&D

MATERIAL : HDPE

SCALE(S) : --

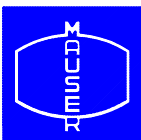
WEIGHT : --

CHECKED BY: --

UNIT : MM.

REFERRING DWG. :  
WPP-20-0067\*-00

REF. WVO NR. :  
--



MAUSER  
Benelux B.V.

DRAWING NUMBER :

WPP-20-0067t-02.7

DESCRIPTION :

220 LITRE L-RING DRUM (BCS56x4+BCS70x6)

A4